

Model PMD420/PMD430



OWNER'S MANUAL

STEREO CASSETTE RECORDER



marantz®

MARANTZ COMPANY, INC. 20525 NORDHOFF STREET, CHATSWORTH, CALIFORNIA 91311

	CAUTION RISK OF ELECTRIC SHOCK DO NOT OPEN	
CAUTION: TO REDUCE THE RISK OF ELECTRIC SHOCK, DO NOT REMOVE COVER (OR BACK) NO USER-SERVICEABLE PARTS INSIDE REFER SERVICING TO QUALIFIED SERVICE PERSONNEL		



The lightning flash with arrowhead symbol, within an equilateral triangle, is intended to alert the user to the presence of uninsulated "dangerous voltage" within the product's enclosure that may be of sufficient magnitude to constitute a risk of electric shock to persons.



The exclamation point within an equilateral triangle is intended to alert the user to the presence of important operating and maintenance (servicing) instructions in the literature accompanying the appliance.

WARNING

**TO REDUCE THE RISK OF FIRE OR ELECTRIC SHOCK,
DO NOT EXPOSE THIS APPLIANCE TO RAIN OR MOISTURE.**

MODEL PMD420

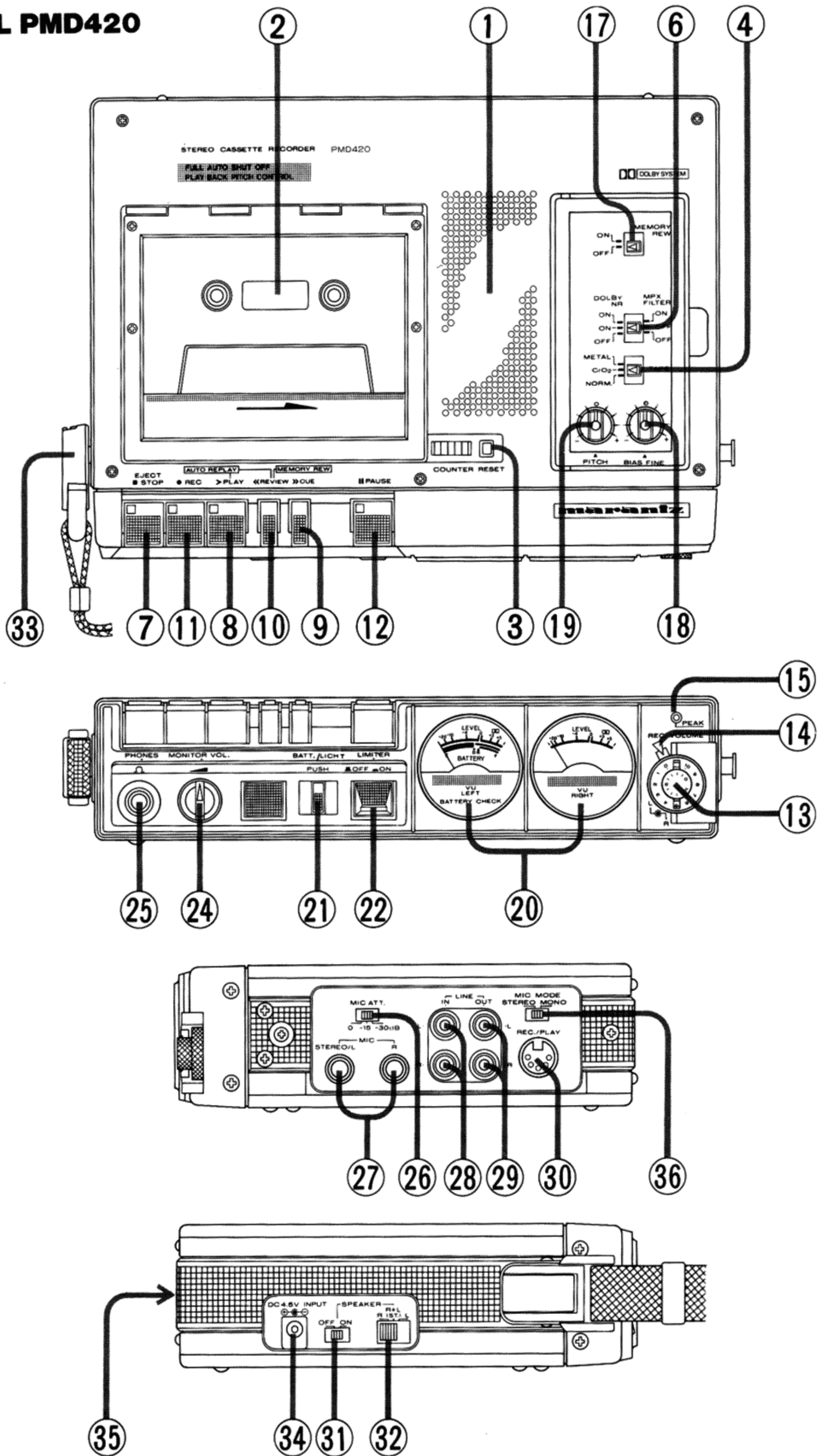


Figure 1

MODEL PMD430

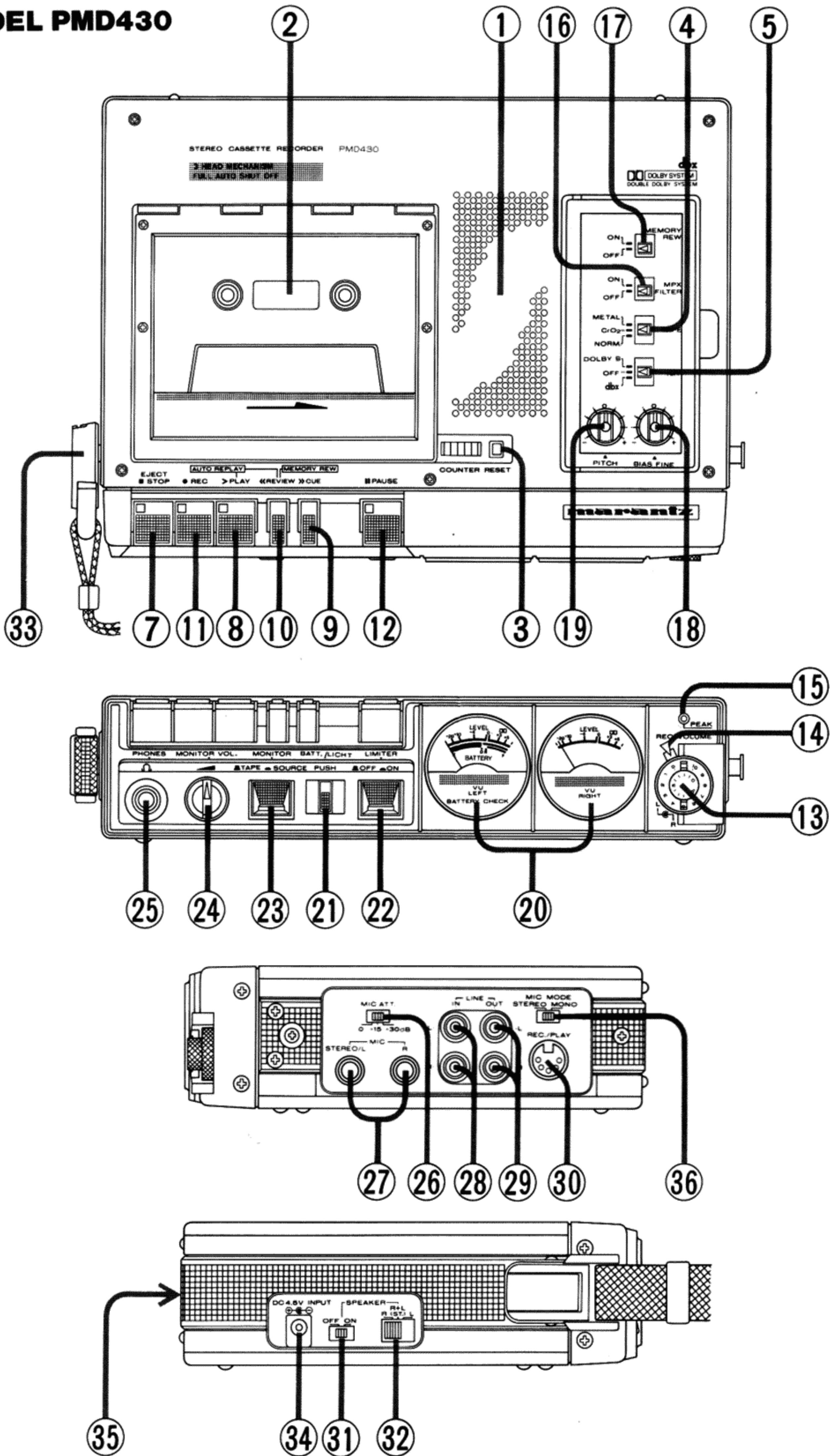


Figure 2.

FOREWARD

To obtain maximum performance and enjoyment from your Stereo Cassette Recorder, please study these instructions carefully. Installing and operating your unit is not complicated, but the flexibility provided by its numerous operating features merit your becoming familiar with its controls and connections. Our recommended procedure will assure you of securing the superb performance for which your Stereo Cassette Recorder was designed.

For convenience, this manual is divided into two parts. The first part outlines a simplified operating procedure. The second part provides a more detailed description of the features of your Stereo Cassette Recorder, and explains some of the finer points of recording techniques.

For quick identification of the many controls, connection facilities, and adjustments on your unit, all references to them in this manual are printed in **BOLDFACE** type.

AFTER UNPACKING

It is advisable to retain all original packing material to prevent damage should you wish to transport your Unit (refer to page 11 for Repacking and Shipping instructions). Be careful that you do not inadvertently throw away or lose the parts packed with the unit. Please inspect your Stereo Cassette Recorder carefully. Our very strict quality control and professional pride ensure that each unit leaves the factory in perfect condition. If the unit is damaged or fails to operate, immediately notify your dealer. If the unit was shipped to you directly, notify the transportation company without delay. Only you, the consignee, may institute a claim against the carrier for shipping damage. Save the carton and all packing material as evidence of damage for their inspection. Should assistance be required, the Marantz Company will cooperate fully in assisting your claim.

PURCHASER'S RECORD

MODEL NO. _____
(Located on Front of Unit)

SERIAL NO. _____
(Located on Rear of Unit)

Cost _____ Date _____

This information becomes your permanent record of a valuable purchase. It should be filled in promptly then kept in a safe place along with your purchase receipt to be referred to as necessary for insurance purposes or when corresponding with Marantz.

IMPORTANT

WHEN SEEKING WARRANTY SERVICE, IT IS THE RESPONSIBILITY OF THE CONSUMER TO ESTABLISH PROOF AND DATE OF PURCHASE. (YOUR PURCHASE RECEIPT OR INVOICE IS ADEQUATE FOR SUCH PROOF.)

QUICK REFERENCE INDEX

The drawings in Figure 1, provide a reference number for each of the panel features. These numbers reference a descriptive paragraph about the feature and may be located in the **PANEL FEATURES** section.

Before operating your new unit, take a few moments to acquaint yourself with some of the features and terminology you will encounter in this book.

PANEL FEATURES

① SPEAKER

② CASSETTE COMPARTMENT

③ TAPE COUNTER

Used for easy reference and indexing. To return the numbers to "000" depress the RESET button.

④ TAPE SELECTOR

Selects the proper bias and equalization to suit the most common types of cassette tapes.

NORM — for normal ferric oxide tapes.

CrO₂ — for chromium dioxide and other tapes requiring 70 μ S equalization and high bias.

METAL — for metal tapes

⑤ NOISE REDUCTION SWITCH (PMD430 only)

This switch is used to select the noise reduction system (Dolby NR, dbx, or NR OFF). (See page 8.)

⑥ DOLBY NR / MPX FILTER SWITCH (PMD420 only)

Activates the built-in Dolby Noise Reduction circuitry during recording and playback. (See page 9.)

⑦ STOP/EJECT BUTTON

The **STOP/EJECT** Button serves a dual purpose. To stop the tape in any mode, depress the button lightly. To open the cassette compartment lid, release the button and depress again firmly.

⑧ PLAY BUTTON

When depressed, the **PLAY** Button engages the playback circuitry for flawless reproduction of previously recorded tapes.

⑨ FAST FORWARD/CUE BUTTON (FF/CUE)

Depress this button for rapid advancement to any desired point on the tape. If depressed during playback, the tape will advance until the button is released, at which point tape play resumes automatically.

⑩ REWIND/REVIEW BUTTON (REW/REVIEW)

Depress this button to rapidly rewind a tape. If depressed during playback, the tape will rewind until the button is released, at which point tape play resumes automatically.

11 RECORD BUTTON (REC)

Press this button together with the **PLAY** button to begin recording.

12 PAUSE BUTTON

To stop a tape in Play or Record modes.

13 RECORD LEVEL CONTROLS

To increase the recording levels, turn the knob to the right.

14 REC INDICATOR

When your unit is in the record mode, the **REC** indicator will light up in red.

15 PEAK LEVEL INDICATOR

During recording, the red LED indicates high level transient sounds which are too brief to be measured by the VU Meter.

16 MPX FILTER (PMD430 only)

When recording FM stereo broadcasts, the MPX filter removes spurious signals which interfere with the Dolby NR system. (See page 8.)

17 MEMORY REW

When the tape is rewound with the **MEMORY REW** switch set to **ON**, tape travel stops when the counter reaches "999".

18 BIAS FINE ADJUSTMENT

The **BIAS FINE** control enables fine adjustment of the bias to achieve the maximum performance obtainable from the tape used. In most instances the center detented position provides satisfactory biasing for each tape formulation (Normal, CrO₂ and metal). Tape tolerances may require a slightly different bias.

To adjust the **BIAS FINE** control for optimum performance proceed as follows:

Connect the PMD430 line in and line out to your amplifier as indicated in No. 28 and 29. When recording from a program source with exceptional high end response, listen to the results during recording and compare the sound quality between source and tape. Adjust the **BIAS FINE** control for the best results.

19 PITCH CONTROL

When the **PITCH CONTROL** knob is at the "0" position, it is set at normal speed. Turn it in the H direction to increase the tape speed. Turn it in the L direction to decrease the tape speed.

20 VU METERS

The VU Meters indicate the average Record/Playback level.

21 BATT/LIGHT BUTTON

Pressing this button while the recorder is operating lights the two VU Meters. The meter lamps go out approximately 10 seconds after the button is released. The meter on the left indicates the battery condition when this button is depressed.

22 LIMITER

When this switch is set to **ON**, strong signals will be automatically limited assuring low distortion recording. Be sure to set this switch to **OFF** when adjusting the recording level. The **LIMITER** has no function during playback.

23 MONITOR SWITCH (PMD430 only)

When recording, this switch may be placed in the **SOURCE** position to monitor the signal before it is recorded, or the **TAPE** position to monitor the signal actually recorded on the tape. (See page 7.)

24 VOLUME CONTROL

The **VOLUME** Control regulates the sound volume heard through the speaker(s) and headphones.

25 PHONES JACK

Accepts headphones (optional) utilizing a standard stereo phone plug.

26 MICROPHONE ATTENUATOR SWITCH

For extremely loud volume microphone recordings, depressing this switch prevents input overload and better record level adjustment.

27 MICROPHONE JACKS

Will accept any low impedance microphone (optional) utilizing a standard 6 mm phone plug. When using stereo microphones which use one plug for both the left and right channels (optional), insert that plug into the L (STEREO) jack.

NOTE:

When microphones are selected for recording do not monitor through speakers as this will cause howling (acoustic feedback) which could damage your audio equipment. Use headphones for monitoring.

28 LINE INPUT

Should be connected to the Tape output jacks of your amplifier.

29 LINE OUTPUT

Should be connected to the Tape Monitor inputs of your amplifier.

30 DIN JACK

The connection of a DIN cable between this jack and the DIN jack of an external component, duplicates both **LINE OUTPUT** and **LINE INPUT** functions.

31 SPEAKER ON/OFF SWITCH (SPKR MON)

Place this switch in the **ON** position to monitor recordings through the built-in speaker.

32 SPEAKER MODE SWITCH (SPKR MODE)

Select Left, Right or Left + Right channels for speaker monitoring.

33 SHOULDER STRAP

34 EXTERNAL DC POWER INPUT JACK (DC 4.5 V)

This jack is provided to operate your stereo cassette recorder from an external 4.5 volt DC power source.

35 BATTERY COMPARTMENT

Accepts three "D" size batteries or the MARANTZ Rechargeable Battery Pack (RB430).

36 MIC MODE SWITCH

This switch should be used for monaural recording when a microphone is used. When this switch is in the **MONO** position, it is possible to record with the microphone connected to the **STEREO/L** jack.

For the **STEREO** position of this switch, please refer to the paragraph explaining the use of microphones.

When the switch is in the **MONO** position, the **R** mic is disabled.

POWER SOURCES

Your Stereo Cassette Recorder may be operated using any of three power sources:

BATTERY OPERATION (BATTERIES NOT INCLUDED)

- Open the Battery Compartment cover by depressing the finger grip and pulling OUT (See Figure 3 on Page 20).
- Install three "D" size batteries.

IMPORTANT:

Each battery should be installed observing the correct polarity as shown in Figure 4.

- Close the Battery Compartment cover.

NOTE:

When checking battery condition, a left meter reading below the "BATT" area indicates a weak battery condition. When this occurs, replace all three batteries.

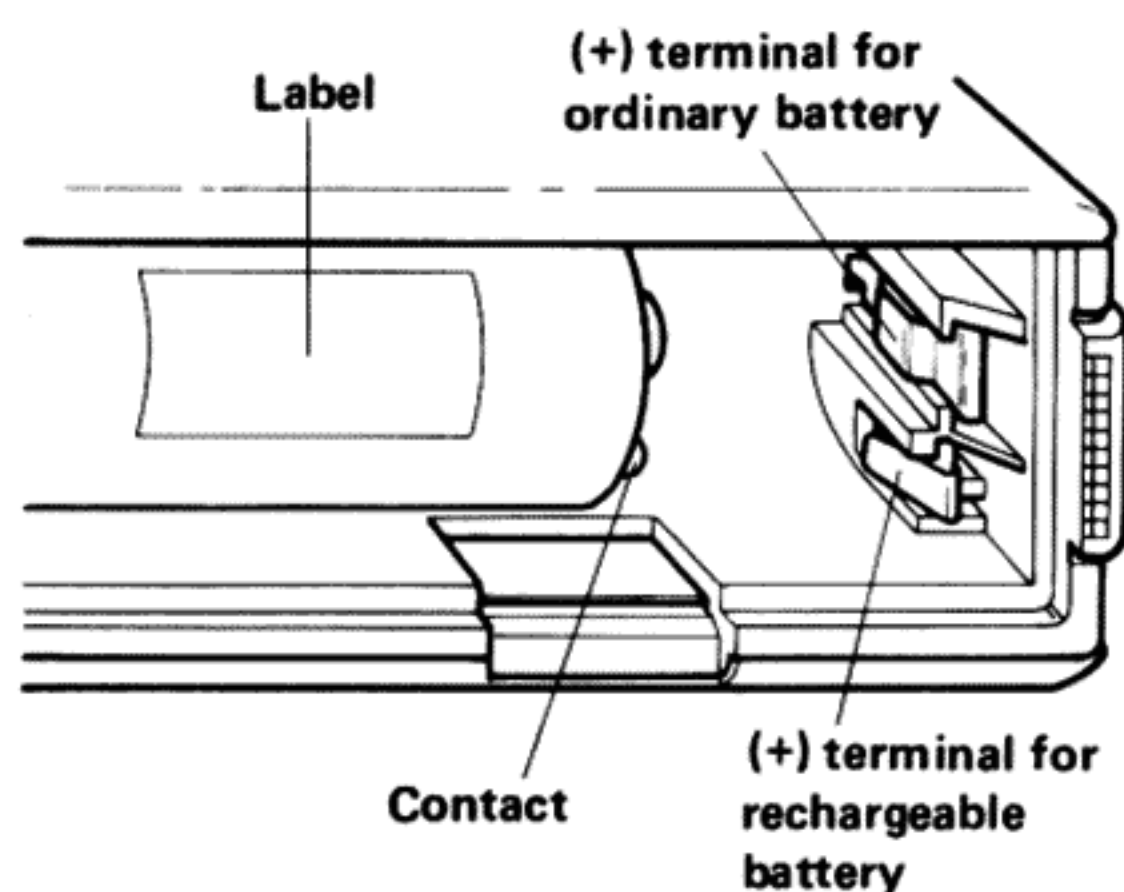


Figure 4.

RECHARGEABLE BATTERY PACK

The RB430 can be recharged again and again, thereby eliminating the need for frequent battery replacement.

RECHARGEABLE BATTERY PACK INSTALLATION

Open the battery compartment cover, then install the battery pack by pressing the flat negative (-) side of the pack against the spring and positioning the positive (+) side of the pack against the charging terminal of the recorder. Make sure that the label side of the battery pack is facing up.

CHARGING THE BATTERY PACK

The battery pack can be charged by connecting the AC adapter. Charge the rechargeable battery RB430 for 16 – 24 hours with the unit stopped. If the battery is charged with the unit operating, it cannot be charged fully.

The RB430 is shipped uncharged, to prevent deterioration during storage. Be sure to charge the battery before use.

AC POWER

The AC adapter accessory makes it possible to operate the recorder on AC power. Before plugging the adapter into an AC outlet, check the outlet voltage and set the AC adapter for that voltage. Afterwards, insert the AC adapter's output plug into the 4.5V DC jack in the recorder.

NOTE:

The RB430 Battery Pack is automatically recharged, and the batteries disconnected, when the power cord is connected to the AC receptacle.

CAUTION:

When not using the recorder, unplug the AC adapter from the wall outlet and the DC jack on the recorder.

CAUTION FOR RECHARGEABLE BATTERY

It takes approximately 16 to 24 hours to recharge the RB430 Battery Pack. Charging for a longer period of time will overcharge the RB430, and will shorten the life of your battery pack.

The battery can be destroyed if shorting, so be careful to avoid shortage.

OPERATION DURING CHARGING

It is advisable not to operate the unit during charging as it could cause problems with the AC adaptor.

CAUTION UPON USING THE AC ADAPTOR

If the AC adaptor is detached from the AC outlet but is still plugged into the PMD420 or PMD430, the unit cannot operate even if power is supplied from another source (batteries for example).

AC ADAPTOR

The AC adaptor accessory can only be used with the PMD420 or the PMD430. Do not use this AC adaptor for other units as this could cause problems.

POWER FROM AN EXTERNAL DC SOURCE

This unit can also be operated with an external DC power source of 4.5 V and 700 mA. A "DC to DC" converter must be used to operate the unit with DC power sources other than 4.5 volts, such as a 12 volt automobile battery. DC to DC converters for this purpose may be purchased at many retail electronics stores. To operate this unit, the DC to DC converter must have a plug that will fit the DC 4.5 V Input jack on the side of the unit. This plug must be the same type of coaxial sleeve power plug found on the AC adaptor supplied with your unit. Note that this plug has an outer diameter of 0.217 inch, an inner diameter of 0.080 inch, and a length of 0.375 inch. The converter output must produce 4.5 V DC and 700 mA.

Connect the 4.5 V DC output plug of the DC to DC converter to the DC 4.5 V Input jack on the side of the unit, and follow the DC to DC converter manufacturers' instructions for connection to a 12 V or other power source.

NOTE:

The outer sleeve of the DC to DC converter plug must be positive (+), and the inner sleeve must be negative (-).

It is very important that any DC to DC converter used with this unit must conform to these specifications, or serious damage to your unit may be caused.

BATTERY CHECK

When the BATT LIGHT button is pressed, the meter on the left shows the amount of battery wear. The "D" mark on the scale indicates the minimum level on which the unit can be used with dry cells. Change the batteries when the charge falls below this level. The "R" mark indicates the minimum level for the rechargeable battery pack; recharge the battery pack when the meter reads below this level.

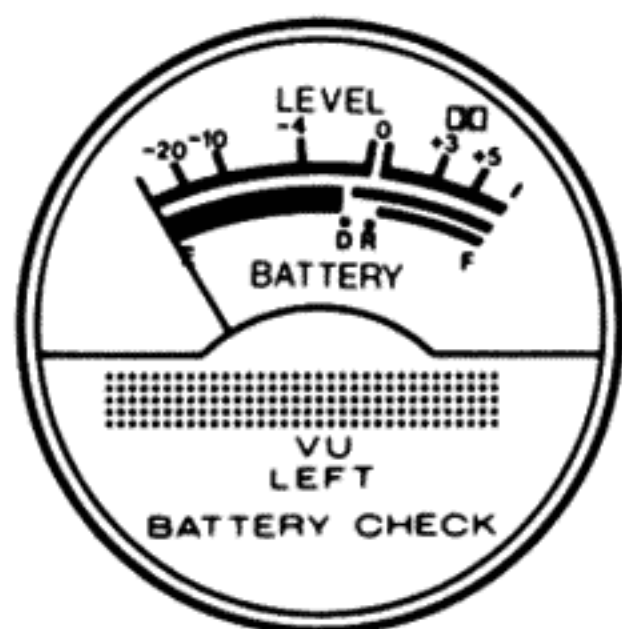


Figure 5.

OPERATING INSTRUCTIONS

PRELIMINARY CONTROL SETTINGS

Rec Level (L/R)	Minimum (to left)
Volume	Minimum (to left)
Monitor (PMD430 only)	Source
Tape Select	Set EQ and BIAS to match the type of tape you are using
NOISE REDUCTION	OFF
LIMITER	OFF
SPKR MON	ON
SPKR MODE	L + R
MIC ATT	0 dB

RECORDING CONNECTIONS

You may record through the Microphone or Line Input jacks.

For microphone recording, connect an optional low impedance One-Point Stereo Microphone or two optional individual microphones to the **MIC L** and **R** jacks of your cassette recorder. Please note that only microphones which employ a 6 mm phone plug may be used.

The Line Input jacks are used to record line level signals from an external source such as a receiver or another tape recorder. Connect one end of an audio cable (with a phono plug termination) to the **L LINE IN** jack of your cassette recorder, and the other end of the cable (terminated with an appropriate plug) to the Left channel output jack of the external source. Connect your cassette recorder's **R LINE IN** jack to the Right channel of the external source in the same manner.

NOTE:

When using a one-plug type stereo microphone, insert the plug in the **L (STEREO)** jack.

TO RECORD

1. Insert a blank cassette.
2. Push the **REC** button and the **PLAY** button together.

Your Stereo Cassette Recorder is now in the Record mode.

TYPE AND BRAND OF TAPES TO USE

In cassette recording, the type and brand of cassette you use has a great influence on the quality of your recordings. Therefore, it is advantageous to purchase the highest quality cassettes available. Chromium dioxide (CrO₂) and metal tapes generally provide better fidelity than normal ferric oxide tapes. When using these kinds of tapes, set the **TAPE SELECTOR** switch on the unit in the correct position to suit the characteristics of the tape.

We recommend the use of cassettes with a recording capacity of 90 minutes or less.

We can assure quality performance of our tape decks using tape selected from the following table.

NORMAL	BASF FUJI MAXELL MEMOREX SCOTCH SONY TDK	Performance Series Studio Series Professional I FX-1 FL LN UD-XL 1 UD MRX ₃ Master I Dynarange Highlander Low Noise High Fidelity AD Series D M
CrO ₂	BASF FUJI MAXELL MEMOREX SCOTCH SONY TDK	Professional II Chromium Dioxide FX-11 UD-XL11 High Bias Master II Chrome SA Series
METAL	SCOTCH TDK	Metafine MA Series

MONITORING DURING RECORDING

SOURCE MONITORING (PMD430 only)

With the MONITOR Switch in the **SOURCE** position and the **SPKR MON** switched **ON**, you will be able to monitor the source being recorded by simply turning up the VOLUME Control.

SOURCE MONITORING (PMD420 only)

With the **SPKR MON** switched **ON**, you will be able to monitor the source being recorded by simple turning up the Volume Control. Monitoring may be accomplished through the use of the internal speaker, or a stereo headphone.

The **SPKR MODE** preliminary control setting given is for monitoring through the internal speaker.

When monitoring the recording with headphones, place the **SPKR MODE** switch in the center (**L&R**) position.

TAPE MONITORING (PMD430 only)

In addition to source monitoring, the PMD430 contains a third head which enables you to monitor directly from the tape as a recording is made. To use this feature, place the MONITOR Switch in the **TAPE** position and turn up the **VOLUME** Control.

Source and Tape Monitoring may be accomplished through the use of the internal speaker, line output connections or a stereo headphone.

The **SPKR MODE** preliminary control setting given is for monitoring through the internal speaker.

NOTE:

Refer to Page 9 for instructions on how to monitor Dolby NR recordings.

It takes about 1 second to start recording after the **PLAY** or **RECORD** button is pressed. To start operation immediately, press the **PAUSE** button, then the **PLAY** or **RECORD** button, and the **PAUSE** button again.

CAUTION:

To avoid audio feedback when making a microphone recording, place the microphones a suitable distance away from the speaker. If desired, the internal speaker may be defeated by placing the **SPKR MON** Switch to the **OFF** position.

ADVANCED RECORDING TECHNIQUES

CONTROLLING THE RECORD LEVEL

The best method of controlling the record level is determined by the content of the particular program source. Use the guidelines below to obtain the desired recording results.

LIMITER

ON: Allows you to manually set the recording level of both channels using the Rec Level Controls while an internal limiter circuit automatically prevents overload distortion resulting from sudden level peaks.

OFF: Permits full manual control of the recording level of both channels using the Rec Level Controls. This position assures optimum dynamic range recordings.

SETTING THE RECORD LEVEL

PROCEDURES FOR RECORDING WITH THE LIMITER

Turn the limiter on after setting the recording level. To set the level, set the limiter switch to **OFF**, then adjust the **REC VOLUME** control while watching the **VU** meters.

Ordinarily, **VU** meter needle deflection should be as large as possible, while the peak level meter should only light up occasionally. If the indicator lights continuously, the level is too high; this will result in distorted sound. Conversely, if the **VU** meter needle stays on the left side of the scale and the indicator does not light at all, the level is too low and a poor **S/N** ratio will result.

HIGH VOLUME MICROPHONE RECORDINGS

Certain microphone recording situations may result in extremely high microphone input levels. In such cases the **Rec Level Control** cannot be set to the desired position without **VU** meter deflection far into the red zone. A greater range of **Record Level Control** rotation can be obtained by depressing the **MIC ATT** Switch. When depressed, this switch will attenuate the input level by 15 dB or 30 dB. In normal recording, leave the **MIC ATT** Switch in the "out" position or "0".

NOISE REDUCTION SYSTEMS

dbx Noise Reduction System (PMD430 only)

The **dbx NR** system provides a large noise reduction effect resulting in wide dynamic recording. The **dbx NR** system has the following features:

1. The noise reduction effect is about 30 dB in the absence of a signal.
2. The **dbx** works linearly on the whole audio band to obtain a wide band noise reduction effect.
3. The sound should not distort even at high recording levels.
4. The maximum recording level at high frequency is increased.
5. Low distortion recording is possible, resulting in real hi-fi sound.
6. Level matching is not necessary, resulting in small tracking error between recording and playback.

Recording/playback with dbx NR system

The PMD430 NR switches are located as shown in the Figure 6.

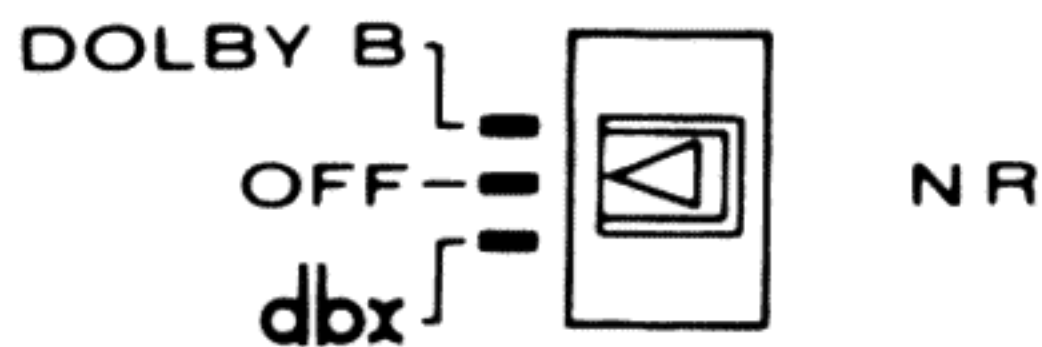


Figure 6.

"dbx" When the NR switch is set to **dbx**, recording and playback using the **dbx NR** system are possible.

"dbx encoded disk" . . . To record a **dbx** encoded disk, set the NR switch to **OFF**. To playback the recorded tape, set the Noise Reduction switch to **dbx**.

DOLBY B NR SYSTEM

The **Dolby B** Noise Reduction system increases the level of low volume, mid and high frequency signals during recording and reduces the level of these signals by an identical amount during playback. As a result the playback signal is identical to the original source signal but the level of background noise generated by the tape and tape recorder is reduced.

Recording/Playback with Dolby B NR system

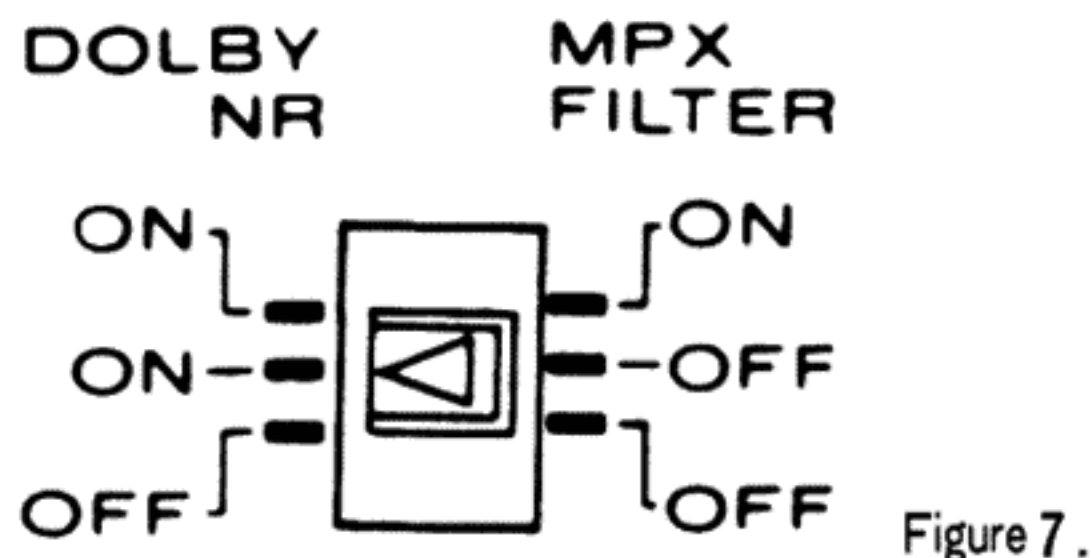
For recording and playback with the **Dolby** noise reduction system set the **NOISE REDUCTION** switch to **DOLBY B NR**.

MPX FILTER (PMD430 only)

When recording **FM** stereo with the **Dolby NR** system, set the **MPX FILTER** switch to **ON**. When recording from other sources or without **Dolby NR**, set the **MPX FILTER** switch to **OFF**.

DOLBY B TYPE NR (PMD420 only)

The PMD420 NR switches are located as shown in the figure below.



Set the **NOISE REDUCTION** switch to **ON** when using Dolby noise reduction. This enables both Dolby NR recording/playback. When recording stereo broadcasts with Dolby NR, set **DOLBY NR** and **MPX FILTER** to **ON**. Otherwise, set **DOLBY NR** to **ON** and **MPX FILTER** to **OFF**.

"NR OFF" To turn the NR circuit OFF, set the NR switch OFF. On this setting, recording/playback without NR system is possible.

As NR systems are not interchangeable, play back the tape with the NR system used to record it.

MONITORING YOUR RECORDING (PMD430 only)

The Double Dolby NR system used in the PMD430 enables you to encode and record a signal using the Dolby NR process and at the same time to decode and monitor that signal from the tape. The decoded signal may be monitored when the **MONITOR** Switch is placed in the **TAPE** position.

NOTE:

When playing back a tape recorded with Dolby NR, always place the **NOISE REDUCTION** Switch to the **Dolby NR** position.

IMPORTANT:

In the Record mode, previously recorded information on the tape will automatically be erased.

TO PROTECT VALUABLE RECORDINGS

You can prevent your valuable recordings from being erased by removing the safety tabs on your cassette tape. Use a small screwdriver to breakout one or both safety tabs. (Figure 8 on Page 20 shows how to remove the side "A" safety tab.)

The record capability of either side of a cassette can be restored by covering the appropriate opening where the tab was removed with cellophane tape. (Figure 9 on Page 20 shows cellophane tape applied to side "A" safety tab opening.)

TO PLAYBACK

1. Insert a pre-recorded cassette, or playback a tape just recorded—rewind the tape to the beginning.
2. Be sure the EQ setting of the Tape Select Switch matches the type of tape you are using.
 - METAL 70 μ S
 - SPECIAL CrO₂ 70 μ S
 - NORMAL 120 μ S
3. Place the **MONITOR** Switch in the **TAPE** position (PMD430 only).
4. Set the **NR** Switch to **OFF** when playing back a tape recorded without NR system. Set the **NR** Switch to **Dolby B NR** (PMD420) or to **Dolby B NR** (PMD430) when playing back a tape recorded with Dolby B NR. Set the **NR** Switch to **dbx** (PMD 430) when playing back a tape recorded the with dbx NR system.
5. Depress the **PLAY** Button.
6. Adjust the Volume Control for a comfortable listening level.

NOTE:

For playback through optional headphones, or Line Output connections, refer to the **SPECIAL FEATURES SECTION**.

REWIND

Check that the **MEMORY REW** switch is in the **OFF** position. To rewind a tape, depress the **REW/REVIEW** Button. The tape will rewind to the beginning. To stop at other desired points, depress the **STOP/EJECT** Button.

REVIEW

Check that the **MEMORY REWIND** switch is in **OFF** position. Partially depressing the **REW/REVIEW** Button during Playback operation permits you to monitor information on the tape as it rewinds. When fully depressed, information is muted. When the desired portion of the tape is reached, release the button to automatically resume tape play.

FAST FORWARD

To rapidly advance the tape in a forward direction, depress the **FF/CUE** Button. when the desired point is reached, depress the **STOP/EJECT** Button.

CUE

Check that the **MEMORY REW** switch is in the **OFF** position. Partially depressing the **FF/CUE** Button during Playback operation permits you to monitor information on the tape as it is rapidly advanced. When fully depressed, information is muted. When the desired portion of the tape is reached, release the button to automatically resume tape play.

PAUSE

Depress the **PAUSE** Button to momentarily stop the tape in the Record or Playback modes. Depress the button a second time to resume tape motion.

The Pause feature provides for the convenient editing of material while recording, or the playback of individual short segments of tape while remaining in the selected mode of operation.

CAUTION:

The **FAST FORWARD** and **REWIND** buttons will not lock down if no battery or AC power is supplied. This is not an indication of trouble with the unit.

With the **MEMORY REWIND** switch set to **ON**, the **REW** and **FF** button cannot be locked when the tape counter reads 900~999.

PITCH CONTROL

The **PITCH** control operates only during playback. Note that variations in the frequency response increases during playback for tapes recorded using noise reduction. Normal speed is indicated when the **PITCH** control is set to the center (click) position.

CAUTION:

- When recording using a microphone, howling may result with the **SPEAKER** switch set to **ON**. At that time, use headphones or set the **SPEAKER** switch to **OFF**.
- At the beginning or the end of a recording, popping noises are sometimes recorded on the tape. To prevent this, proceed as follows.
 1. Press the **PAUSE** button.
 2. Press the **RECORD** and **PLAY** buttons.
 3. Press the **PAUSE** button again to start recording.
 4. Press the **PAUSE** button to stop the tape.
 5. Press the **STOP** button to stop recording.
- When recording with batteries, using the speaker or headphones to monitor may exhaust the batteries. Set the monitor control to zero except when necessary.
- When the batteries are exhausted, the tape moves, but recording is sometimes not possible. Refer to the battery indicator to see if your batteries need to be replaced.
- When the unit is used at low temperatures, the power consumption of the unit increases and the battery voltage decreases. In low temperatures, the battery life may be shortened.

SPECIAL FEATURES**USE OF A HEADPHONE**

For private listening, connect a low impedance headphone (optional) incorporating a 6 mm stereo phone plug to the **PHONES** jack. When monitoring a stereo recording, set the **SPKR MODE** switch to the (L+R) position.

LINE OUTPUT CONNECTIONS

An external component may be connected to these jacks to monitor or record from your cassette recorder.

SHOULDER STRAP

The adjustable shoulder strap provides a convenient method for carrying your cassette recorder during mobile operation.

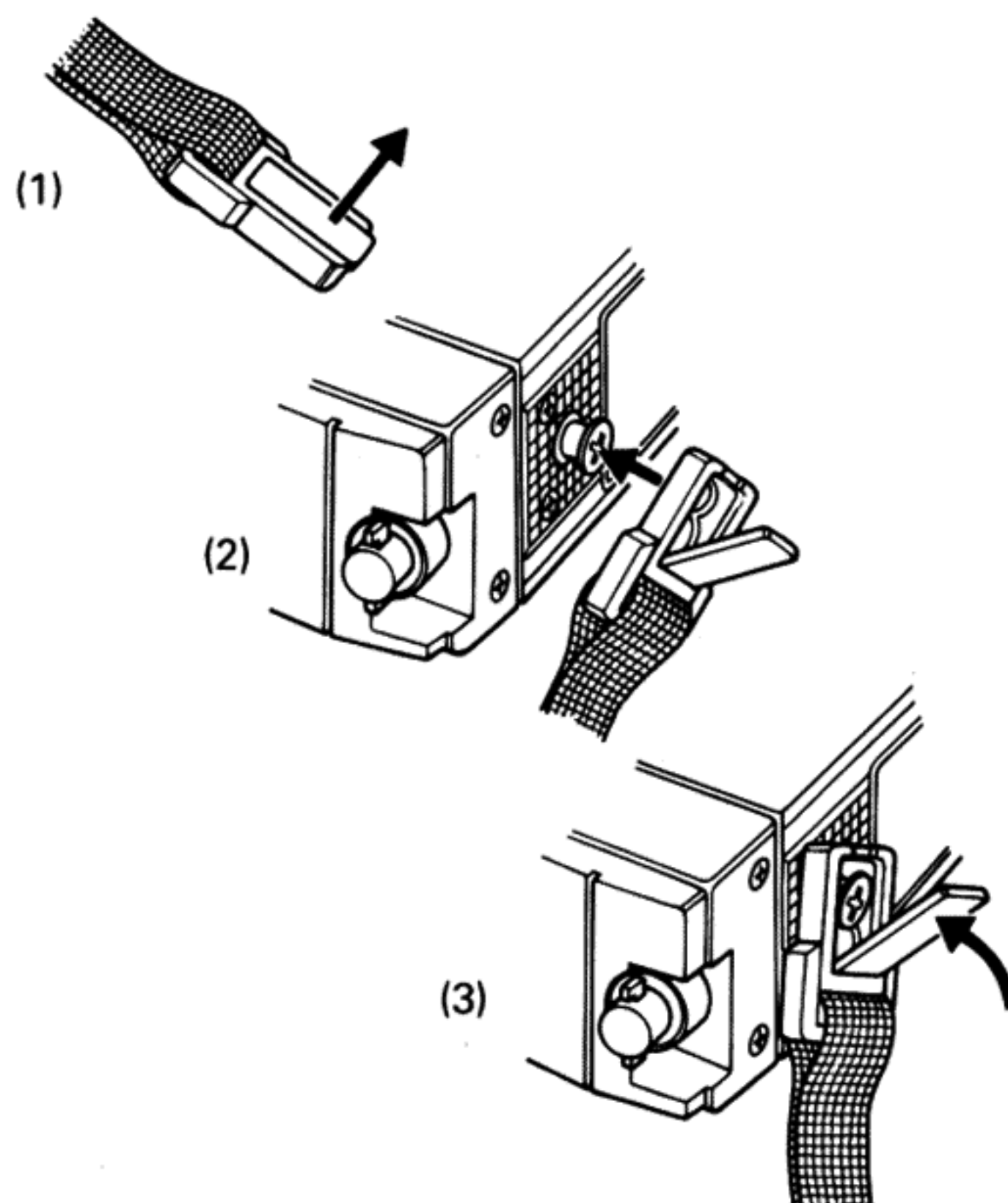
Attaching the Shoulder Strap

Figure 10.

TOTAL SHUT OFF

This built-in feature automatically disengages the transport and shuts off the unit when the end of the tape is reached in any mode of operation.

AUTO REPLAY

When the **REW** button is pressed and locked while the unit is in the **PLAY** mode with the **MEMORY REW** switch set to **ON**, the tape is rewound until the counter reaches "999": tape travel then automatically starts in the **PLAY** mode. Playback can be started at any point desired by zeroing the counter at that point in advance.

MEMORY REW

When the **REW** button is pressed with the **MEMORY REW** switch set to **ON**, tape travel stops when the counter reaches "999". Playback can be started at any point desired by zeroing the counter at that point in advance.

TO ERASE A TAPE

1. Insert the cassette with the side you wish to erase facing UP.
2. Set the **REC VOLUME** to minimum (fully counterclockwise).
3. Simultaneously press the **REC** and **PLAY** buttons.

USE OF THE DIN JACK

The **REC/PLAY** jack is a **DIN**-type jack which permits your unit, through the use of a European 5-wire cable, to record from or playback through similarly equipped external components.

PROPER CARE AND MAINTENANCE

Periodically clean the tape heads, guides and pinch roller with a soft cloth or cotton swab moistened with denatured alcohol or a commercial head cleaning solution, as shown in Figure 11.

Clean the heads after removing the batteries and disconnecting the AC adapter. Head cleaning procedures are described below.

- 1) Depress the **STOP/EJECT** Button to open the Cassette compartment.
 - 2) Depress the **PLAY** Button to engage the head assembly. After cleaning has been completed, depress the **STOP/EJECT** Button to disengage the head assembly.
- Tape heads and guides also become magnetized over a period of time, and should be demagnetized periodically using a commercial head demagnetizer.
 - When cleaning the cabinet use a soft cloth slightly dampened with a mild solution of detergent and water. **NEVER** use scouring pads, scouring powders, harsh chemicals or petroleum products.
 - Weak batteries can leak and cause corrosion. If the recorder will not be used for a long period of time or if it is used extensively with AC adapter, remove the batteries.
 - Extended use of this unit in areas of extreme heat or humidity should be avoided.

REPAIRS

Only the most competent and qualified technicians should be allowed to service your cassette recorder. The Marantz company and its factory trained technicians have the knowledge and special equipment needed for repair and calibration of this precision instrument.

In the event of difficulty, please call the proper toll free number listed below, and ask for Marantz Service:

For the Continental United States (except ILL):

800-447-1970

For Illinois: 800-322-0800

For Hawaii and Alaska: 800-447-0890

When delivering the product for service, you should take a copy of your purchase receipt and a full description of the problems you have encountered.

REPACKING FOR SHIPMENT

Should it become necessary to repack your unit for shipment to the factory, to an authorized service station, or elsewhere, please observe the following precautions:

- a. Pack the unit carefully, using the original material as shown in Figure 12 on Page 20.
- b. Ship via a reputable carrier and obtain a shipping receipt from the carrier.
- c. Insure the unit for its full value.
- d. Be sure to include your return address on the shipping label.

INTRODUCTION

Pour obtenir les meilleures performances et la plus grande satisfaction de votre appareil, veuillez étudier avec soin les instructions suivantes. L'installation et le fonctionnement ne sont pas compliqués, mais la souplesse d'utilisation permise grâce aux multiples perfectionnements mérite votre attention eu égard à ces nombreux contrôles et raccordements. Nous vous recommandons la procédure suivante qui garantit les superbes performances de notre modèle.

A des fins de simplification, ce manuel est divisé en deux parties. La première présente une description simplifiée du fonctionnement de l'appareil. Une explication synoptique ainsi que des spécifications techniques détaillées sont données dans la deuxième partie.

Pour permettre une identification rapide des nombreux contrôles, raccordements et réglages toutes les références y afférentes reprises dans ce manuel sont imprimées en **MAJUSCULES GRASSES**.

APRES AVOIR DEBALLE VOTRE APPAREIL

Il est prudent de conserver l'emballage d'origine pour éviter toute détérioration à votre appareil si vous souhaitez le transporter ou l'expédier (voir page 20 "Remballage pour expédition"). Veillez à ne pas jeter par inadvertance ou égarer les pièces emballées avec l'appareil.

Examinez soigneusement votre appareil afin de détecter toute détérioration provoquée éventuellement durant le transport. Il a subi une très sévère inspection et de nombreux tests avant l'emballage et a quitté l'usine intact et en parfait état de fonctionnement. Si l'appareil est endommagé ou ne fonctionne pas, mettez-vous immédiatement en rapport avec votre concessionnaire. Si l'appareil vous a été expédié directement et s'il vous arrive endommagé, avertissez immédiatement la firme de transport. Vous seul, le consignataire, pouvez établir une réclamation auprès du transporteur pour les dommages causés pendant le transport. Conservez l'emballage endommagé qui pourra servir de preuve en cas d'enquête. Si nécessaire, mettez-vous en rapport avec votre concessionnaire ou, en dernier recours, avec l'agent d'importation Marantz qui coopérera au maximum dans de telles circonstances.

INDEX DE REFERENCE

Les dessins de la figure 1 comportent un numéro de référence pour chaque organe de réglage sur le panneau avant. Ces numéros de référence correspondent à un paragraphe descriptif des réglages correspondants et peuvent être retrouvés dans la section intitulée "DESCRIPTION".

Avant de procéder à la connexion de votre nouveau appareil, consacrez quelques minutes pour vous familiariser avec les détails techniques et leur appellation dans ce mode d'emploi.

AU SUJET DE CE MANUEL

Les chiffres donnés dans les figures de la page 2 renvoient à ceux utilisés pour la description de votre appareil. Toutes les références aux contrôles et entrées sont imprimées en **MAJUSCULES** telles qu'elles apparaissent sur votre appareil.

DOSSIER DE L'ACHETEUR

NO. DE MODELE _____
(Situé à l'avant de l'appareil)

NO. DE SERIE _____
(Situé à l'arrière de l'appareil)

Prix _____ Date _____

Ces renseignements font partie de vos dossiers permanents sur vos achats de valeur. Notez-les rapidement et conservez-les dans un endroit sûr avec votre reçu d'achat pour toute référence future touchant aux assurances ou aux correspondances avec Marantz.

IMPORTANT

LORS DE LA DEMANDE DU SERVICE SOUS GARANTIE, LE CONSOMMATEUR A LA RESPONSABILITE DE FOURNIR LA PREUVE ET LA DATE DE L'ACHAT (VOTRE REÇU D'ACHAT OU FACTURE EST UNE PREUVE SUFFISANTE).

DESCRIPTION

① HAUT-PARLEUR

② COMPARTIMENT CASSETTE

③ COMPTEUR

S'utilise comme référence pour indexer n'importe quelle cassette. Pour le remettre à "000", appuyez sur le bouton **RESET** (remise à zéro).

④ SELECTEUR DE TYPE DE BANDE

Détermine la polarisation et l'égalisation pour les trois types de bande les plus courants:

NORMAL	Pour les bandes normales à l'oxyde de fer
CrO₂	Pour les bandes au bioxyde de chrome et les bandes nécessitant une polarisation élevée et une égalisation de 70µs
METAL	Pour les bandes au métal pur

⑤ COMMUTATEUR NOISE REDUCTION (REDUCTION DE BRUIT) (PMD430 uniquement)

S'utilise pour sélectionner le système de réduction de bruit qui sera utilisé (Dolby, dbx — ou aucune réduction de bruit).

⑥ COMMUTATEUR DOLBY NR/MPX FILTER (REDUCTEUR DE BRUIT DORBY/FILTRE MULTIPLEX) (PMD420 uniquement)

Permet d'activer le système de réduction de bruit Dolby pendant la lecture et l'enregistrement.

⑦ BOUTON STOP/EJECT (ARRET/EJECTION)

Ce bouton a deux fonctions:
Pour arrêter une bande dans n'importe quel mode de fonctionnement, appuyez doucement sur ce bouton. Pour ouvrir le compartiment cassette, relâchez le bouton et appuyez une seconde fois fermement.

⑧ BOUTON PLAY (LECTURE)

Pour la lecture de la bande. Lorsqu'il est enfoncé, le bouton **PLAY** met en service le circuit de lecture pour une restitution parfaite des bandes enregistrées.

⑨ BOUTON FF/CUE (AVANCE RAPIDE)

Appuyez sur ce bouton pour avancer rapidement jusqu'à n'importe quel point de la bande. Si ce bouton est enfoncé pendant la lecture, la bande avancera rapidement jusqu'à ce que le bouton soit relâché puis la lecture de la bande reprendra automatiquement.

⑩ BOUTON REW/REVIEW (REBOBINAGE RAPIDE)

Appuyez sur ce bouton pour rebobiner rapidement une bande. Si ce bouton est enfoncé pendant la lecture, la bande se rebobinera automatiquement jusqu'à ce que le bouton soit relâché, puis la lecture reprendra automatiquement.

⑪ BOUTON D'ENREGISTREMENT (REC)

Appuyez sur ce bouton en même temps que sur le bouton **PLAY** pour commencer à enregistrer.

⑫ BOUTON PAUSE

Pour arrêter la bande lorsque l'appareil se trouve en mode de lecture ou d'enregistrement.

⑬ CONTROLES DE NIVEAU D'ENREGISTREMENT

Pour augmenter le niveau d'enregistrement, tourner ces boutons vers la droite.

⑭ INDICATEUR REC (ENREGISTREMENT)

Lorsque l'appareil est en mode d'enregistrement, cet indicateur rouge s'allume.

⑮ INDICATEUR PEAK (NIVEAU DE CRETE)

Pendant l'enregistrement, cette diode rouge indique les transitoires de haut niveau trop brèves pour apparaître sur les indicateurs **VU**.

⑯ FILTRE MPX (MULTIPLEX) (PMD430 uniquement)

Lors de l'enregistrement d'émissions FM stéréo, ce filtre élimine les signaux pilote pouvant interférer avec le système de réduction de bruit Dolby.

⑰ COMMUTATEUR MEMORY REW (REBOBINAGE MEMOIRE)

Lorsque la bande est rebobinée et que le commutateur **MEMORY REW** est en position **ON** (marche) la bande s'arrêtera lorsque le compteur indiquera "999".

⑱ CONTROLE BIAS FINE ADJUSTEMENT (REGLAGE FIN DE LA PREMAGNETISATION)

Le contrôle **BIAS FINE** permet le réglage fin de la pré-magnétisation pour tirer les performances optimales de la bande utilisée. Dans la plupart des cas la position médiane donnera des résultats satisfaisants pour chaque type de bande. Certaines bandes particulières vous feront peut-être changer la position de ce contrôle.

Pour régler le contrôle **BIAS FINE** pour des performances optimales, procédez comme suit:

Raccordez les entrées et sorties ligne de votre PMD430 à votre amplificateur comme indiqué aux N° 28 et 29.

Tout en enregistrant une source particulièrement riche en aigus, écoutez le résultat en cours d'enregistrement et comparez la qualité sonore au niveau de la source et de la bande. Réglez le contrôle **BIAS FINE** de manière à obtenir la meilleure restitution.

⑲ PITCH CONTROL (REGLAGE FIN DE LA VITESSE)

Lorsque le bouton **PITCH CONTROL** est sur la position "0", il donne la vitesse normale. Faites tourner le contrôle vers le **H** pour augmenter la vitesse, et vers le **L** pour la diminuer.

⑳ INDICATEURS VU

Ces indicateurs donnent le niveau moyen de lecture/enregistrement.

21) COMMUTATEUR BATT/LIGHT (PILES/ECLAIRAGE)

Lorsque l'appareil fonctionne, appuyez sur ce bouton pour allumer les indicateurs VU. L'éclairage s'éteint environ 10 secondes après que le bouton ait été relâché. L'indicateur de gauche indique le niveau de chargement des piles quand on appuie sur le commutateur.

22) LIMITEUR

Lorsque ce commutateur est mis en position **ON** (Marche), les signaux forts sont automatiquement limités pour assurer un enregistrement à faible distorsion. Ce commutateur doit être mis en position **OFF** (Arrêt) pendant le réglage des niveaux d'enregistrement. Le limiteur n'a aucune utilité pendant la lecture.

23) COMMUTATEUR MONITOR (CONTROLE D'ENREGISTREMENT) (PMD430 uniquement)

Pendant l'enregistrement, ce commutateur peut être placé en position **SOURCE** pour contrôler le signal avant l'enregistrement, ou en position **TAPE** (bande) pour contrôler le signal tel qu'il a été enregistré.

24) CONTROLE DE VOLUME

Ce contrôle règle le niveau de volume entendu à travers les haut-parleurs (interne ou externes) et le casque.

25) PRISE PHONES (CASQUE)

Accepte un casque d'écoute (en option) équipé d'une fiche standard de 6 mm.

26) COMMUTATEUR MIC ATT (ATTENUATEUR MICRO)

Lors d'enregistrements micro de volume très élevé, mettez ce commutateur dans la position adéquate pour éviter toute surcharge d'entrée, et pour permettre un meilleur réglage des niveaux d'enregistrement.

27) PRISES MICRO

Acceptent tout microphone à basse impédance (en option) ayant une fiche standard de 6 mm.

Lors de l'emploi de microphones stéréo comportant une seule fiche pour les deux canaux, branchez cette fiche à la prise L (STEREO).

NOTE:

Si vous enregistrez à l'aide de micros, ne contrôlez pas l'enregistrement en cours avec des haut-parleurs, ce qui causerait des sifflements dangereux pour votre installation. Utilisez plutôt un casque d'écoute.

28) ENTRES LINE (LIGNE)

Doivent être raccordées aux sorties Tape (Bande) de votre amplificateur.

29) SORTIES LINE (LIGNE)

Doivent être raccordées aux entrées Tape (Bande) de votre amplificateur.

30) PRISE DIN

Vous permet d'utiliser un câble DIN, qui remplit à la fois les fonctions d'entrée et de sortie, entre l'enregistreur et votre amplificateur.

31) COMMUTATEUR SPKR MON (CONTROLE PAR HAUT-PARLEUR)

Mettez ce commutateur en position **ON** (Marche) pour contrôler l'enregistrement par le haut-parleur incorporé.

32) COMMUTATEUR SPKR MODE (MODE DE FONCTIONNEMENT DU HAUT-PARLEUR)

Vous permet de choisir d'entendre le canal gauche (L), le canal droit (R) ou les deux canaux en même temps (L + R) pour le contrôle à travers le haut-parleur.

33) BANDOUILLE

34) ENTREE POUR ALIMENTATION EXTERNE COURANT CONTINU (CC 4,5 V)

Cette prise vous permet d'utiliser votre enregistreur sur une source de courant continu de 4,5 V.

35) COMPARTIMENT DES PILES

Accepte 3 piles de taille "D" ou l'unité de piles rechargeables MARANTZ (RB 430).

36) COMMUTATEUR MIC MODE (MODE DE FONCTIONNEMENT DU MICRO)

Ce commutateur devrait être utilisé pour les enregistrements mono à l'aide d'un micro. Lorsque ce commutateur est en position **MONO**, il est possible d'enregistrer avec le micro branché à l'entrée **STEREO/L**.

Pour la position **STEREO**, voyez le paragraphe décrivant l'utilisation des micros.

Lorsque ce commutateur est en position **MONO**, le micro branché à l'entrée **R** est hors-circuit.

ALIMENTATION

Votre magnétocassette peut être alimenté en courant de 3 manières différentes:

PILES (PILES NON FOURNIES)

- Ouvrez le compartiment des piles en appuyant sur l'onglet et en tirant sur le couvercle (voir figure 3 de la page 19).
- Installez 3 piles de taille "D".

IMPORTANT

Chaque pile doit être installée en respectant les codes de polarité montrés dans la figure 4.

- Refermez le compartiment des piles.

NOTE:

Lorsque vous vérifiez le niveau des piles et que l'aiguille se trouve plus bas que l'indication "BATT" (Piles), remplacez les trois piles.

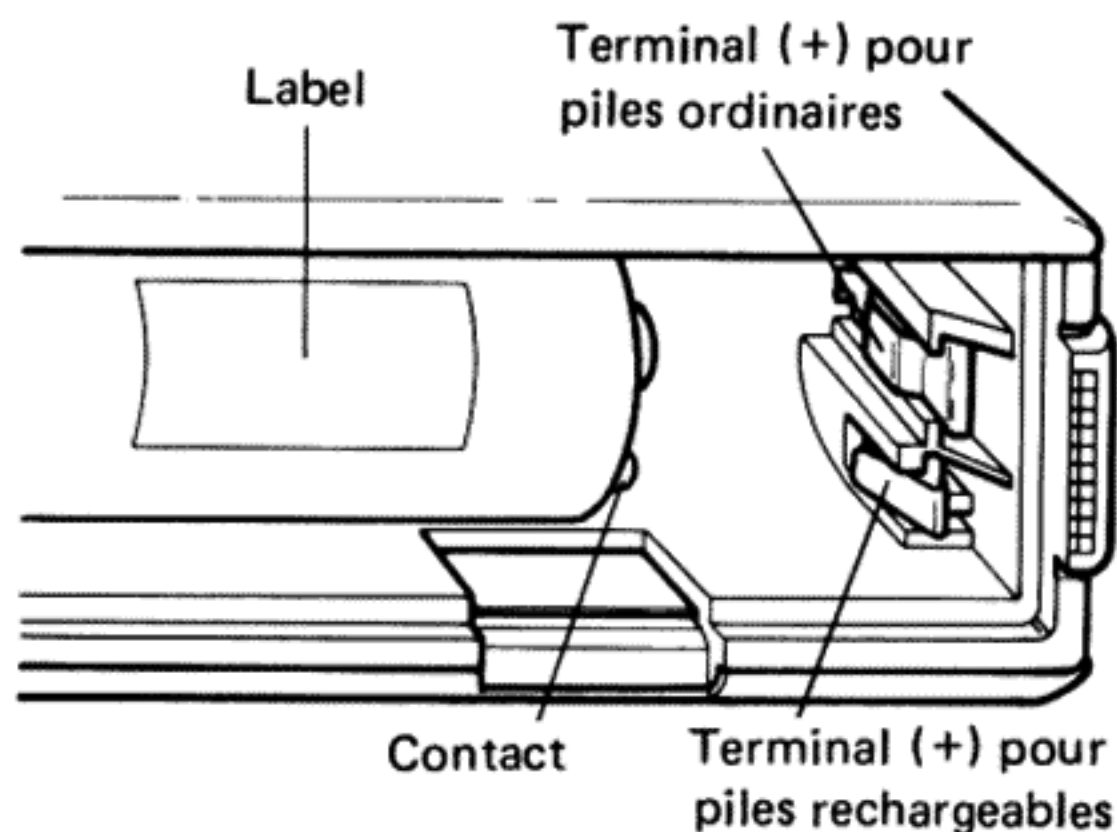


Figure 4.

UNITE DE PILES RECHARGEABLES

Le RB430 peut être rechargé indéfiniment, évitant le besoin constant de remplacement des piles.

INSTALLATION

Ouvrez le compartiment des piles. Installez les piles rechargeable en plaçant le côté négatif (-) contre le ressort, et le côté positif (+) contre la borne de chargement de l'enregistreur. Vérifiez que le label soit bien tourné vers le haut.

CHARGEMENT

Les piles peuvent être rechargées en raccordant l'adaptateur courant alternatif. Charger la batterie rechargeable RB430 pour 16 à 24 heures alors que l'appareil est arrêté. Si la batterie était chargée alors que l'appareil fonctionne, elle ne le serait pas complètement.

Le RB430 est expédié non chargé pour prévenir toute détérioration au cours de cette période. Ne pas oublier de charger la batterie avant utilisation.

COURANT ALTERNATIF

L'adaptateur courant alternatif vous permet de faire fonctionner l'appareil sur courant alternatif. Avant de brancher l'adaptateur vérifiez la tension fournie. Après avoir branché l'adaptateur dans une prise de courant, branchez-le à la prise DC 4,5 V de l'enregistreur.

NOTE:

L'unité rechargeable RB430 se recharge automatiquement et les piles ordinaires sont automatiquement déconnectées lorsque l'appareil est branché sur courant alternatif.

ATTENTION:

Lorsque vous n'utilisez pas le magnétocassette, débranchez l'adaptateur courant alternatif de la prise de courant et de la prise courant continu de l'appareil.

PRECAUTION POUR LES PILES RECHARGEABLES

La recharge des accumulateurs RB430 prend environ entre 16 et 24 heures. En prolongeant l'opération on surcharge le RB430 et on en réduit la durée de vie.

Évitez aussi tout court-circuit qui pourrait détruire les piles rechargeables.

UTILISATION PENDANT LE RECHARGEMENT DES PILES

Il est recommandé de ne pas utiliser l'appareil durant la recharge pour ne pas perturber le fonctionnement de l'adaptateur secteur.

UTILISATION DE L'ADAPTATEUR COURANT ALTERNATIF

Si l'adaptateur courant continu est débranché de la prise de courant tout en étant encore branché à l'appareil, il est impossible de faire fonctionner l'appareil, même en utilisant une autre source d'alimentation (piles par exemple)

ADAPTATEUR COURANT ALTERNATIF

N'utilisez l'adaptateur courant continu qu'avec le PMD420 ou le PMD430. Ne l'utilisez pas avec un autre appareil pour éviter tout problème.

ALIMENTATION A PARTIR D'UNE SOURCE DE COURANT CONTINU EXTERIEURE

L'appareil peut aussi fonctionner à partir d'une source de courant continu de 4,5 V et 700 mA extérieure. Pour les alimentations de type différent, telles que les batteries automobiles de 12 V, il convient d'employer un convertisseur "CC - CC". On peut trouver ce genre d'appareil dans de nombreux magasins d'électronique. Pour convenir au magnétophone, le convertisseur CC - CC doit comporter une fiche s'adaptant à la prise d'entrée DC 4,5 V latérale. Cette fiche doit être du même type que la fiche coaxiale d'alimentation présente sur l'adaptateur secteur fourni avec le magnétophone. Cette fiche a un diamètre extérieur de 0,217 pouce, un diamètre intérieur de 0,080 pouce et une longueur de 0,375 pouce. Le convertisseur doit débiter 700 mA sous 4,5 V CC. Raccordez la fiche de sortie 4,5 V CC du convertisseur CC - CC à la prise d'entrée 4,5 V CC sur le côté du magnétophone et suivre le mode d'emploi du convertisseur pour le branchement à la source 12 V ou autre.

Remarque:

Le manchon externe du convertisseur CC - CC doit être positif (+) et le manchon interne négatif (-). La conformité du convertisseur continu - continue utilisé avec la magnétophone à ces caractéristiques est essentielle si l'on veut éviter tout risque d'endommager ce dernier.

VERIFICATION DU NIVEAU DES PILES

Lorsque le bouton BATT LIGHT est enfoncé, l'indicateur de gauche indique le niveau de charge des piles. La marque "D" indique le niveau minimum de charge lorsque l'appareil fonctionne sur piles ordinaires. Remplacez ces piles lorsque l'aiguille se trouve sous cette marque. La marque "R" indique le niveau minimum de charge lorsque l'appareil fonctionne sur piles rechargeables. Rechargez les piles lorsque l'aiguille se trouve sous cette marque.

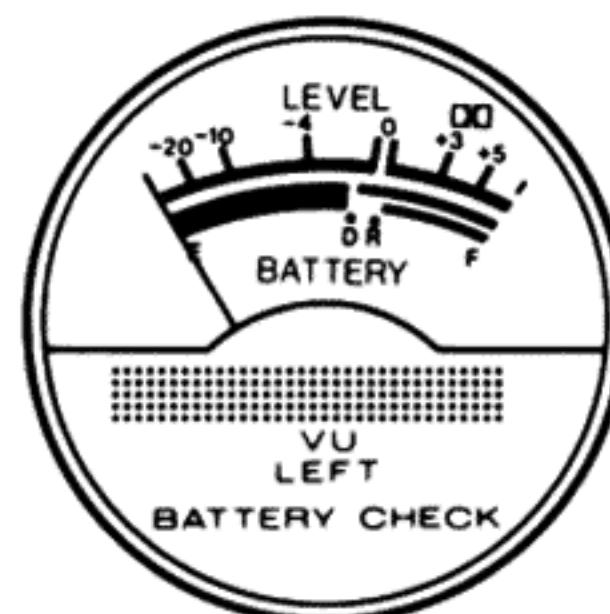


Figure 5.

FONCTIONNEMENT

REGLAGE DES DIFFERENTS CONTROLES

Niveau d'enregistrement	Minimum (vers la gauche)
Volume	Minimum (vers la gauche)
Contrôle d'enregistrement (PMD430 uniquement)	Source
Type de bande	Suivant la bande utilisée
Réduction de bruit	OFF (Arrêt)
Limiteur	OFF (Arrêt)
Contrôle par haut-parleur (SPKR MON)	ON (Marche)
Mode de fonctionnement des haut-parleurs (SPKR MODE)	L + R
Atténuateur micro	0 dB

RACCORDEMENTS POUR L'ENREGISTREMENT

Vous pouvez enregistrer à l'aide de micros ou par l'intermédiaire de l'entrée **LINE** (Ligne).

Pour l'enregistrement micro, raccordez un micro une tête à basse impédance (en option) ou deux micros individuels (en option) aux prises **MIC L** et **R** (MICRO GAUCHE et DROIT) de votre appareil. Seuls les micros équipés d'une prise de 6 mm peuvent être utilisés. Les entrées Ligne peuvent être utilisés pour l'enregistrement d'un signal venant d'une source externe (ampli-sintoniseur ou autre magnétophone). Raccordez les prises **LINE IN** (Entrées Ligne) de votre enregistreur avec les sorties Tape (Bande) de la source externe.

NOTE:

Si vous utilisez un micro stéréophonique à une seule prise, branchez-le à la prise **L (STEREO) (GAUCHE)** de votre appareil.

ENREGISTREMENT

1. Insérez une cassette vierge.
2. Appuyez sur les boutons **REC** et **PLAY** en même temps.

Votre appareil se trouve maintenant en mode d'enregistrement.

CASSETTE RECOMMANDEES

La marque et le type des cassettes utilisées a une très grande influence sur la qualité de vos enregistrements. Les cassettes au bioxyde de chrome (CrO₂) et au métal pur donnent en général de bien meilleurs résultats que les bandes à l'oxyde de fer normales.

Mettez le commutateur **TAPE SELECTOR** dans la position adéquate suivant le type de bande utilisé.

Nous vous recommandons l'utilisation de bandes d'une durée de 90 minutes ou moins.

NORMAL	BASF	Performance Series Studio Series Professional I
	FUJI	FX-1 FL
	MAXELL	LN UD-XL 1 UD
	MEMOREX	MRX ₃

	SCOTCH	Master I Dynarange Highlander
	SONY	Low Noise High Fidelity
	TDK	AD Series D M
CrO ₂	BASF	Professional II Chromium Dioxide
	FUJI	FX-11
	MAXELL	UD-XL11
	MEMOREX	High Bias
	SCOTCH	Master II
	SONY	Chrome
	TDK	SA Series
METAL	SCOTCH	Metafine
	TDK	MA Series

CONTROLE PENDANT L'ENREGISTREMENT

CONTROLE DE LA SOURCE (PMD420 uniquement)

Mettez le commutateur **MONITOR** en position **SOURCE** et le commutateur **SPKR MON** en position **ON**. Vous pouvez ainsi contrôler le signal entrant en augmentant le niveau de volume.

CONTROLE DE LA SOURCE (PMD420 uniquement)

Mettez le commutateur **SPKR MON** en position **ON**. Vous pouvez ainsi contrôler la source enregistrée en augmentant le niveau de volume. Le contrôle peut se faire à travers le haut-parleur interne ou un casque d'écoute.

Lorsque le commutateur **SPKR MODE** est mis en position **L + R**, le contrôle se fera à travers le haut-parleur incorporé.

Lors du contrôle de l'enregistrement avec un casque d'écoute, mettez le commutateur **SPKR MODE** en position **L + R**.

CONTROLE DE BANDE (PMD430 uniquement)

Le PMD430 est équipé d'une troisième tête qui permet le contrôle du signal sur la bande en cours d'enregistrement. Pour cela, mettez le commutateur **MONITOR** en position **TAPE** et augmentez le niveau de volume.

Le contrôle de la source et du signal enregistré peut se faire à travers le haut-parleur interne, les entrées Ligne ou un casque d'écoute.

Lorsque le commutateur **SPKR MODE** est mis en position **L + R**, le contrôle se fera à travers le haut-parleur incorporé.

NOTE:

Reportez-vous à la page 18 pour le contrôle des enregistrements Dolby NR.

Il faut environ 1 seconde pour commencer l'enregistrement après avoir appuyé sur la touche lecture (**PLAY**) ou enregistrement (**RECORD**). Pour commencer le fonctionnement immédiatement, appuyer sur la touche **PAUSE**, puis sur la touche lecture (**PLAY**) ou enregistrement (**RECORD**), puis à nouveau sur la touche **PAUSE**.

ATTENTION:

Pour éviter les phénomènes de rétroaction acoustique lors de l'enregistrement à l'aide de micros, placez les micros suffisamment loin du haut-parleur. Il est aussi possible de couper le haut-parleur externe en plaçant le commutateur **SPKR MON** en position **OFF**.

POUR DES ENREGISTREMENTS OPTIMAUX

CONTROLE DU NIVEAU D'ENREGISTREMENT

Le niveau d'enregistrement est déterminé par le contenu de la source de programme. Utilisez les conseils ci-dessous pour obtenir les meilleurs résultats possibles.

LIMITEUR:

Position ON Vous permet de contrôler manuellement le niveau d'enregistrement des deux canaux. Un circuit interne de limitation évite les distorsions de surcharge qui peuvent résulter de subites pointes de niveau.

Position OFF Permet un contrôle complet des niveaux d'enregistrement des deux canaux grâce aux contrôles de niveau d'enregistrement. Cette position assure une meilleure dynamique de l'enregistrement.

REGLAGE DU NIVEAU D'ENREGISTREMENT

ENREGISTREMENT AVEC LIMITEUR

Ne branchez le limiteur qu'après avoir réglé les niveaux d'enregistrement. Pour cela, mettez le limiteur en position **OFF** et faites tourner les contrôles de niveau d'enregistrement en observant les aiguilles des indicateurs VU.

Normalement, l'aiguille doit aller le plus possible vers la droite et l'indicateur de crête ne devrait s'allumer qu'occasionnellement. Si cet indicateur est allumé en permanence, des distorsions se feront entendre. A l'opposé, si l'aiguille ne se déplace pas assez vers la droite et que l'indicateur ne s'allume jamais, un mauvais rapport signal-bruit sera obtenu à l'enregistrement.

ENREGISTREMENTS MICRO DE VOLUME ELEVE

Certaines situations peuvent résulter en un niveau d'entrée micro extrêmement élevé. Dans ce cas, les contrôles de niveau d'enregistrement ne peuvent pas être mis dans la position adéquate sans que l'aiguille des indicateurs VU ne se déplace trop à droite. Dans ce cas, utilisez l'atténuateur micro (MIC ATT). Lorsque ce commutateur est enfoncé, le niveau d'entrée sera atténué de 15 dB ou de 30 dB suivant la position choisie. Il est alors possible de régler correctement les contrôles de niveaux d'enregistrement. Pour des enregistrements normaux, ce commutateur doit être mis en position OFF ou 0.

SYSTEMES DE REDUCTION DE BRUIT

SYSTEME DE REDUCTION DE BRUIT dbx (PMD430 UNIQUEMENT)

Le système de réduction de bruit dbx est particulièrement efficace et permet donc des enregistrements à large dynamique. Le système de réduction de bruit dbx présente les caractéristiques suivantes.

1. La réduction du niveau de bruit est d'environ 30 dB en cas d'absence de signal.
2. Le système dbx fonctionne de manière linéaire sur toute la bande audio, permettant une réduction de bruit à large bande.

3. Le son est très peu sujet aux distorsions, même à des niveaux d'enregistrement élevés.
4. Le niveau d'enregistrement maximum pour les hautes fréquences est plus élevé.
5. Il est possible d'effectuer des enregistrements à très bas niveaux de distorsion, ce qui procure un véritable son hi-fi.
6. Il n'est pas nécessaire de procéder à des réglages de niveau, ce qui fait qu'il n'y a que très peu de différences entre l'enregistrement et la lecture.

ENREGISTREMENT/LECTURE AVEC LE SYSTEME dbx

Le commutateur de réduction de bruit du PMD430 est illustré à la figure 6.

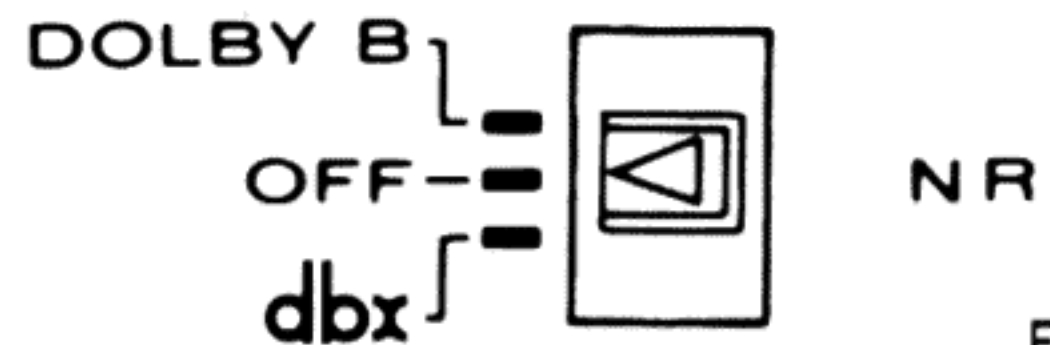


Figure 6.

dbx. . . Lorsque le commutateur NOISE REDUCTION est en position dbx, l'enregistrement et la lecture avec système dbx sont possibles.

Pour les disques encodés dbx . . Si vous désirez enregistrer un disque encodé dbx, mettez le commutateur NOISE REDUCTION en position OFF. Lors de la lecture de la bande, mettez-le en position dbx.

SYSTEME DE REDUCTION DE BRUIT DOLBY B

Le système de réduction de bruit Dolby B augmente le niveau des signaux de moyenne et de haute fréquence de bas volume pendant l'enregistrement et diminue le niveau de ces signaux de manière équivalente pendant la lecture. Le signal résultant est donc équivalent au signal original, mais le niveau de bruit de fond dû à la bande et à l'enregistreur est fortement réduit.

Enregistrement/Lecture avec le système de réduction de bruit DOLBY B NR

Pour l'enregistrement et la lecture avec le système de réduction de bruit Dolby B, mettez le commutateur **NOISE REDUCTION** en position **DOLBY NR B**.

FILTRE MULTIPLEX (MPX) (PMD430 uniquement)

Lorsque vous enregistrez des émissions FM en utilisant le système de réduction de bruit Dolby, mettez le commutateur MPX FILTER en position ON (Marche). Si vous enregistrez d'autres sources ou si vous n'utilisez pas le système Dolby pour enregistrer des émissions FM, mettez le commutateur MPX FILTER en position OFF.

SYSTEME DE REDUCTION DE BRUIT DOLBY B NR (PMD420 UNIQUEMENT)

Les commutateurs de réduction de bruit du PMD420 sont placés comme suit:

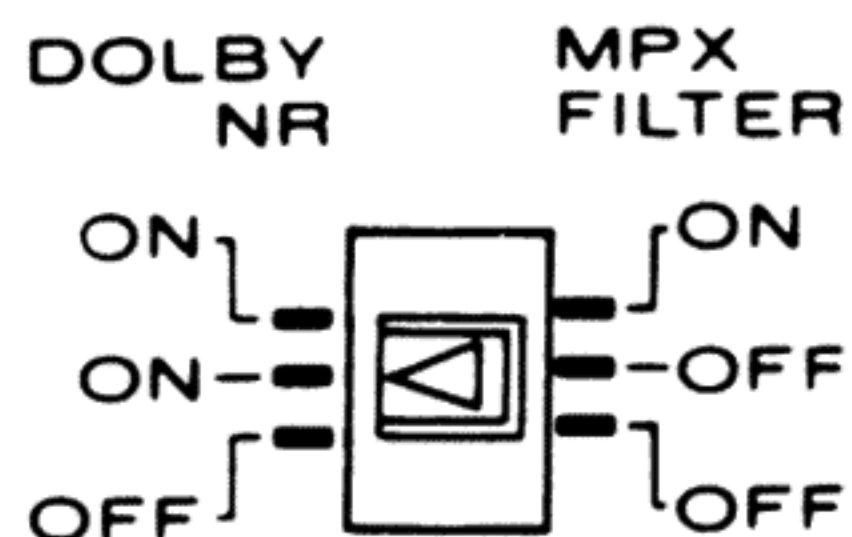


Figure 7.

Mettez le commutateur **NOISE REDUCTION** en position **ON** lorsque vous utilisez le système de réduction de bruit Dolby. Cela permet la lecture et l'enregistrement encodés Dolby NR. Lorsque vous désirez enregistrer des émissions stéréo avec Dolby NR, mettez le commutateur **DOLBY NR/MPX** en position **ON** (marche).

Comme les systèmes de réduction de bruit ne sont pas interchangeables, utilisez pour la lecture le système de réduction de bruit utilisé pour l'enregistrement.

CONTROLE DES ENREGISTREMENTS AVEC REDUCTION DE BRUIT DOLBY NR (PMD430 UNIQUEMENT)

Le système Dolby double utilisé dans le PMD430 vous permet d'encoder et d'enregistrer un signal en utilisant le Dolby, et en même temps de le décoder et de le contrôler. Le signal décodé peut être contrôlé lorsque le commutateur **MONITOR** est en position **TAPE**.

NOTE:

Lorsque vous faites jouer une bande encodée Dolby, le commutateur **NOISE REDUCTION** doit être mis en position **DOLBY NR**.

IMPORTANT

En mode d'enregistrement, toute information enregistrée précédemment est effacée.

PROTECTION DES ENREGISTREMENTS PRECIEUX

On peut éviter d'effacer tout enregistrement précieux en enlevant les languettes de sécurité de la cassette. Utilisez un petit tournevis pour briser une des languettes ou les deux. (La figure 8 de la page 20 montre comment enlever la languette de sécurité de la face "A".)

LECTURE

1. Insérez une cassette pré-enregistrée. Rebobinez la bande jusqu'au début.
2. Vérifiez la position du sélecteur de type de bande.
 - METAL 70 μ s
 - CrO₂ SPECIAL 70 μ s
 - NORMAL 120 μ s
3. Mettez le commutateur **MONITOR** en position **TAPE** (PMD430 uniquement).
4. Mettez le commutateur **NR** sur **OFF** pour l'écoute d'une bande enregistrée sans réduction de bruit. Mettez-le sur **ON** (PMD420 uniquement) ou sur **DOLBY B NR** (PMD-430) pour l'écoute d'une bande enregistrée avec le système Dolby B NR. Mettez-le sur **dbx** (PMD430) pour l'écoute d'une bande enregistrée avec le système dbx NR.
5. Appuyez sur le bouton **PLAY**.
6. Réglez le niveau de volume.

NOTE:

Pour la lecture en utilisant un casque d'écoute ou à travers les sorties Ligne, reportez-vous au paragraphe "CARACTERISTIQUES PARTICULIERES"

REBOBINAGE

Vérifiez que le commutateur **MEMORY REW** est en position **OFF**.

Pour rebobiner une bande, appuyez sur le bouton **REW/REVIEW**. La bande se rebobinera jusqu'au début. Pour arrêter le rebobinage appuyez sur le bouton **STOP/EJECT**.

LECTURE RAPIDE (ARRIERE)

Vérifiez que le commutateur **MEMORY REWIND** est en position **OFF**.

Lorsque le bouton **REW/REVIEW** n'est enfoncé que partiellement pendant la lecture, il est possible de contrôler l'information se trouvant sur la bande pendant le rebobinage. Lorsque le bouton **REW/REVIEW** est entièrement enfoncé, le signal enregistré sur la bande ne se fait pas entendre. Lorsque vous avez atteint le point désiré de la bande, relâchez le bouton **REW/REVIEW** et la lecture recommencera automatiquement.

AVANCE RAPIDE

Pour faire avancer rapidement la bande, appuyez sur le bouton **FF/CUE**. Lorsque le point désiré est atteint, appuyez sur le bouton **STOP/EJECT**.

LECTURE RAPIDE (AVANT)

Vérifiez que le commutateur **MEMORY REW** est en position **OFF**. Lorsque le bouton **FF/CUE** n'est enfoncé que partiellement pendant la lecture, il est possible de contrôler l'information se trouvant sur la bande pendant l'avance rapide. Lorsque le bouton **FF/CUE** est entièrement enfoncé, le signal enregistré sur la bande ne se fait pas entendre. Lorsque vous avez atteint le point désiré de la bande, relâchez le bouton **FF/CUE** et la lecture recommencera automatiquement.

PAUSE

Appuyez sur le bouton **PAUSE** pour arrêter momentanément la bande lorsqu'elle se trouve en mode de lecture ou d'enregistrement. Appuyez une seconde fois sur ce bouton pour faire avancer à nouveau la bande.

Cette fonction Pause permet d'arrêter très facilement la bande lorsqu'elle se trouve en mode de lecture ou d'enregistrement pour des morceaux très courts tout en restant dans le mode de fonctionnement choisi.

ATTENTION:

Les boutons **FF/CUE** et **REW/REVIEW** ne s'enclencheront pas si l'appareil n'est pas alimenté en courant. Il ne s'agit donc pas d'une panne de l'appareil.

Le commutateur **MEMORY REWIND** en position **ON**, les boutons **REW** et **FF** ne peuvent être verrouillés quand le compteur de bande affiche 900~999.

REGLAGE FIN DE LA VITESSE

Ce contrôle ne fonctionne que lorsque l'appareil est en mode de lecture. Veuillez noter que les variations de réponse en fréquence augmentent dans les bandes enregistrées avec un système de réduction de bruit.

La vitesse normale est indiquée par la position centrale (à encliquetage) du contrôle **PITCH**.

ATTENTION:

- Lors d'un enregistrement effectué à l'aide du microphone, un grondement peut se produire lorsque l'interrupteur **SPEAKER** est sur **ON**. Il faut alors utiliser le casque d'écoute ou amener l'interrupteur **SPEAKER** sur **OFF**.

- Il arrive qu'un bruit de mise sous/hors tension soit enregistré au début ou à la fin d'un enregistrement. Procéder comme suit afin d'éviter cet inconvénient.
 1. Appuyer sur la touche **PAUSE**.
 2. Appuyer sur les touches **RECORD** et **PLAY**.
 3. Appuyer de nouveau sur la touche **PAUSE** pour commencer l'enregistrement.
 4. Appuyer sur la touche **PAUSE** pour arrêter la bande.
 5. Appuyer sur la touche **STOP** pour arrêter l'enregistrement.
- Lors d'un enregistrement sur piles, l'utilisation des enceintes ou du casque d'écoute à des fins de contrôle peut vider les piles.
Amener la commande de contrôle sur zéro excepté lorsque cela est indispensable.
- Lorsque les piles sont épuisées, la bande se déplace mais il arrive que l'enregistrement ne puisse s'effectuer. Contrôler le témoin des piles pour savoir si les piles doivent être remplacées.
- Lorsque l'on utilise l'appareil à basse température, la consommation d'énergie de l'appareil augmente et la tension des piles diminue. La durée de service des piles peut être réduite lorsque la température est peu élevée.

CARACTERISTIQUES PARTICULIERES

UTILISATION D'UN CASQUE D'ECOUTE

Il est possible de raccorder un casque d'écoute à basse impédance (en option) équipé d'une fiche standard de 6 mm. Pour le contrôle d'un programme stéréo, mettez le commutateur **SPKR MODE** en position (L+R).

SORTIES LIGNE

Un composant externe peut être raccordé à ces prises pour le contrôle ou l'enregistrement avec le magnétophone.

BANDOUILLIERE

La bandouillère réglable vous permet de porter confortablement votre appareil pendant l'utilisation en déplacement.

Pour attacher la bandouillère, procédez comme suit:

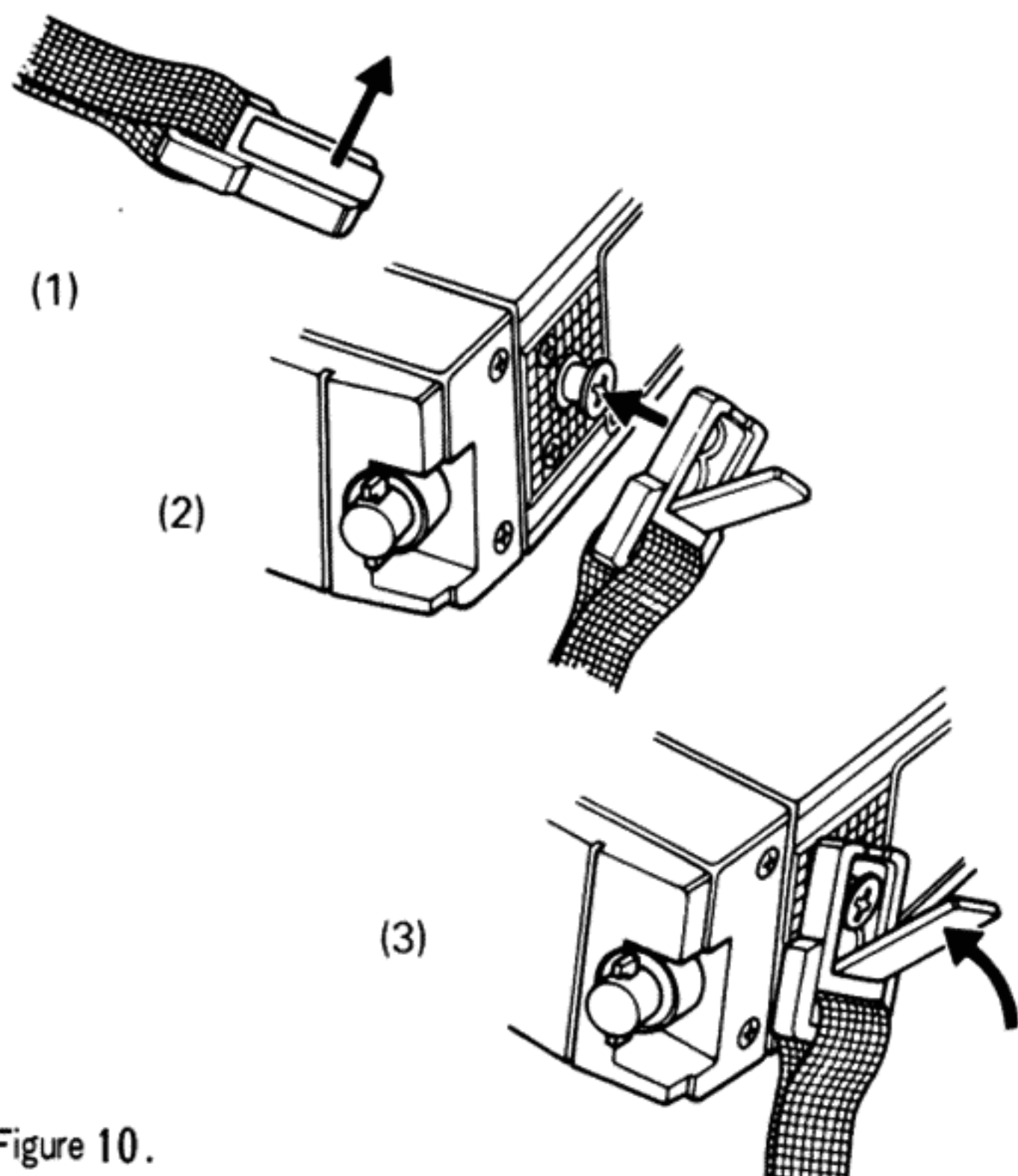


Figure 10.

ARRET AUTOMATIQUE

Cette caractéristique éteint automatiquement l'appareil lorsqu'il atteint la fin de la bande, quel que soit le mode de fonctionnement.

RELECTURE AUTOMATIQUE

Lorsque le bouton **REW** est enfoncé pendant que l'appareil est en mode de lecture et que le commutateur **MEMORY REW** est en position **ON**, la bande est rebobinée jusqu'à ce que le compteur indique "999" ou jusqu'au début de la bande. La lecture recommence alors automatiquement.

La lecture peut donc commencer à n'importe quel point si le commutateur **RESET** a été enfoncé à ce point au préalable.

REBOBINAGE MEMOIRE

Lorsque le bouton **REW** est enfoncé et que le commutateur **MEMORY REW** est en position **ON**, la bande est rebobinée jusqu'à ce que le compteur indique "999". La lecture peut donc commencer à n'importe quel point si le bouton **RESET** a remis le compteur à "000" à ce point au préalable.

POUR EFFACER UNE BANDE

1. Insérez une cassette avec la face que vous désirez effacer vers le haut.
2. Mettez le contrôle de niveau d'enregistrement au minimum (vers la gauche).
3. Appuyez sur les boutons **REC** et **PLAY** en même temps.

UTILISATION DE LA PRISE DIN

Cette prise d'enregistrement/lecture de type **DIN** vous permet l'enregistrement à partir d'un composant externe équipé du même type de prise par l'intermédiaire d'un câble européen à 5 fils. Il est bien sûr aussi possible d'utiliser ce câble pour envoyer le signal de l'enregistreur au composant externe.

ENTRETIEN PERIODIQUE

Nettoyez à intervalles réguliers les têtes, les guides et le galet presseur avec un chiffon doux ou un tampon de coton imbibé d'alcool dénaturé ou d'une solution de nettoyage de tête du commerce, comme l'indique la figure 11.

Effectuez cette opération après avoir ôté les piles et débranché l'adaptateur secteur. Procédez comme suit:

- 1) Appuyez sur le bouton **STOP/EJECT** pour ouvrir le compartiment cassette.
 - 2) Appuyez sur le bouton **PLAY** pour dégager le bloc des têtes. Lorsque le nettoyage est fini, appuyez sur le bouton **STOP/EJECT** pour rétracter le bloc des têtes.
- Les têtes et guides se magnétisent au bout d'un certain temps et doivent être démagnétisés régulièrement avec un démagnétiseur de têtes du commerce.
 - Pour nettoyer le boîtier, utilisez un chiffon doux imbibé d'une solution diluée de détergent et d'eau. N'employez JAMAIS de tampon ou de poudre à récurer, de produits chimiques corrosifs ou de produits pétroliers.
 - Les piles déchargées peuvent couler et corroder le boîtier. Si l'appareil reste inemployé pendant une assez longue période ou s'il fonctionne uniquement avec l'adaptateur secteur, sortez-en les piles.
 - Il convient d'éviter un emploi prolongé de cet appareil dans des régions particulièrement chaudes ou humides.

REPARATIONS

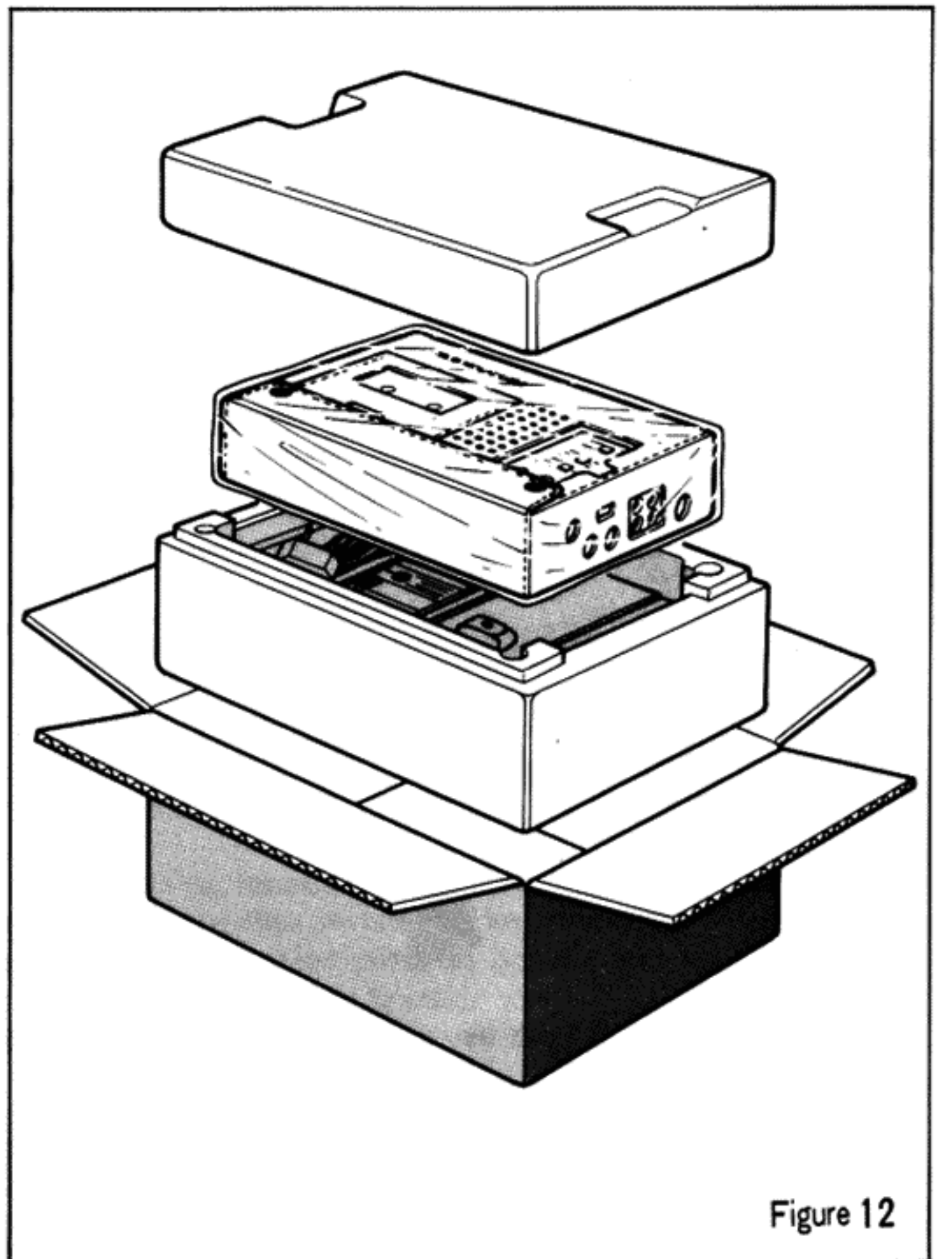
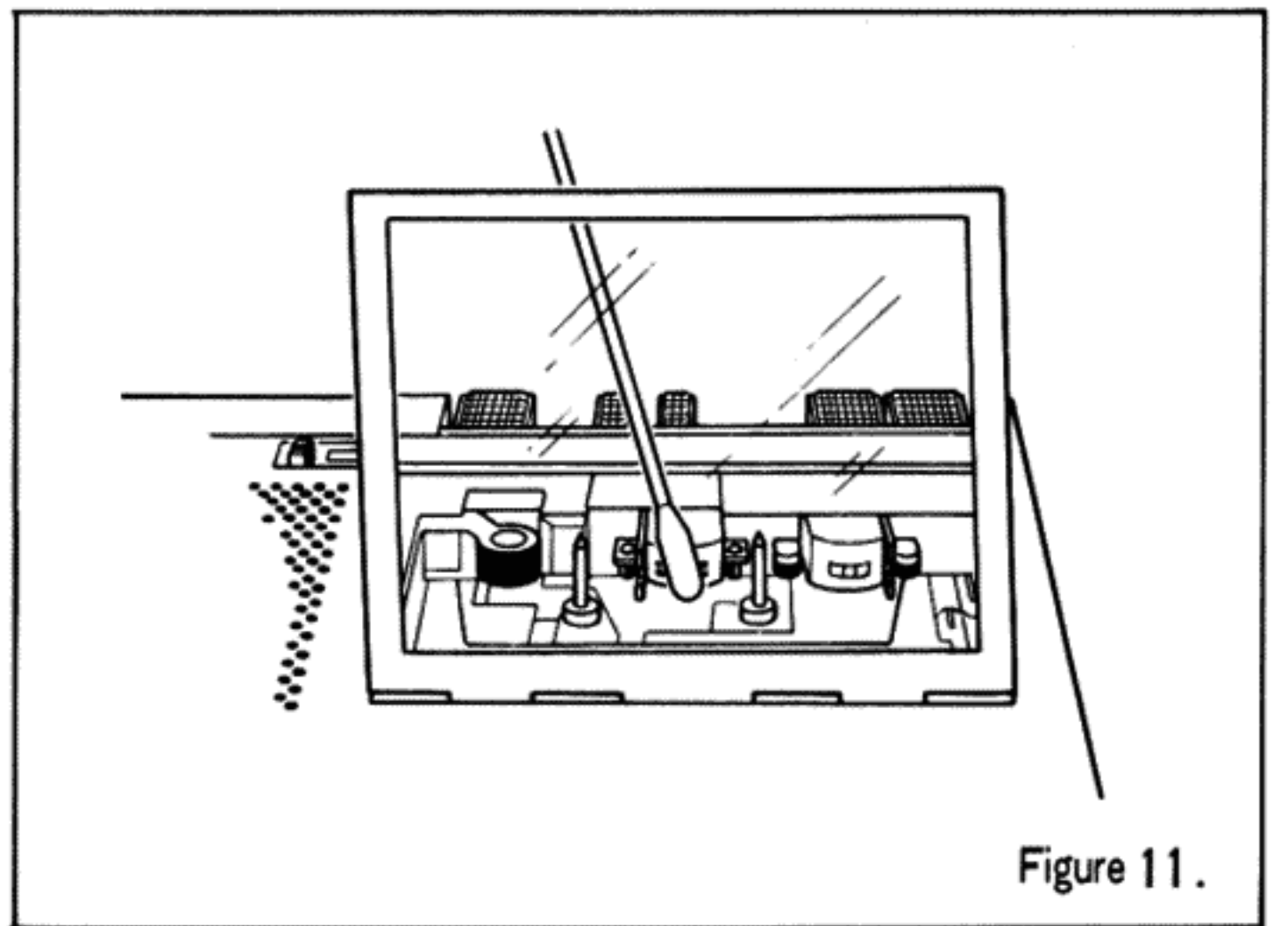
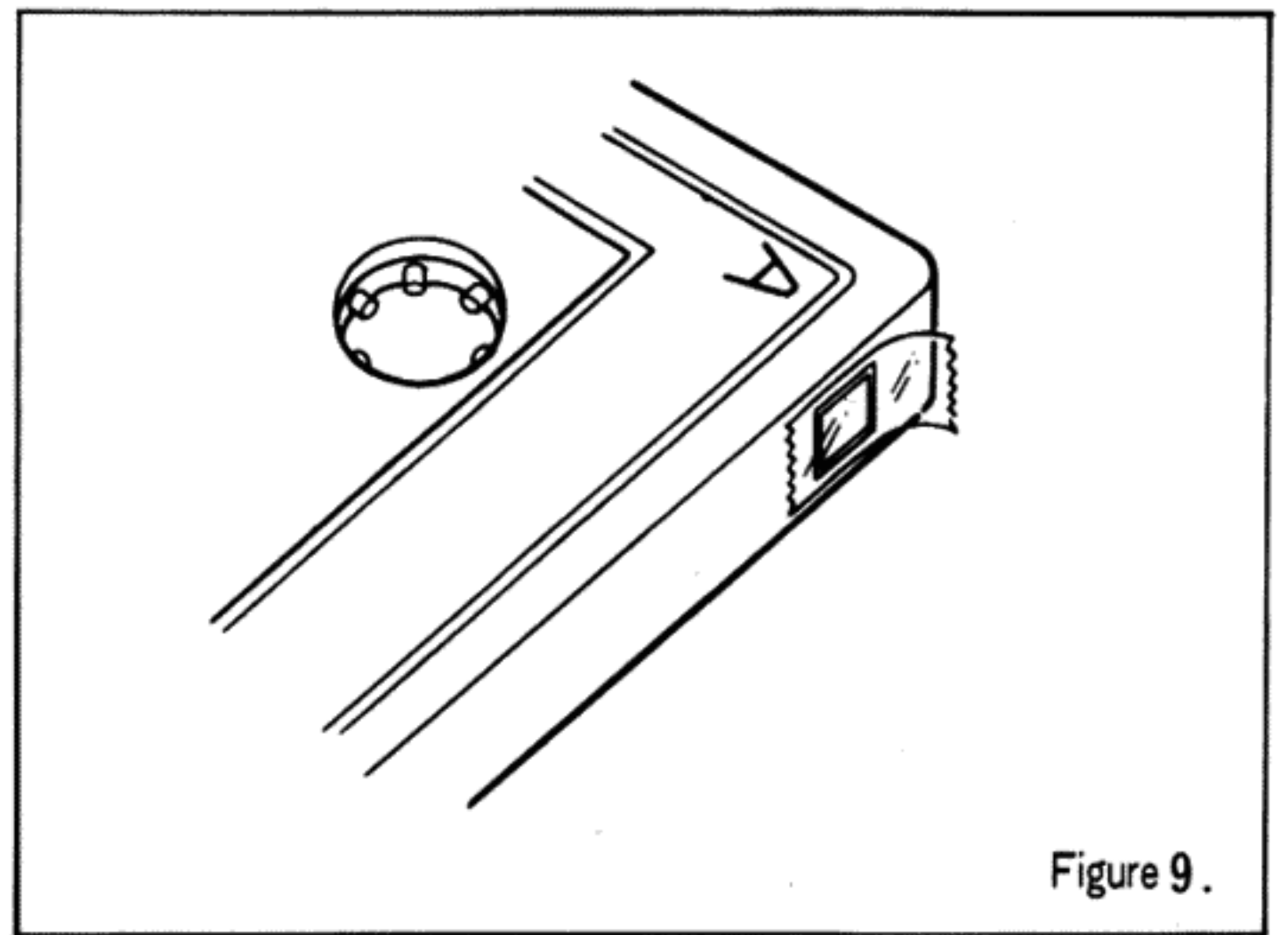
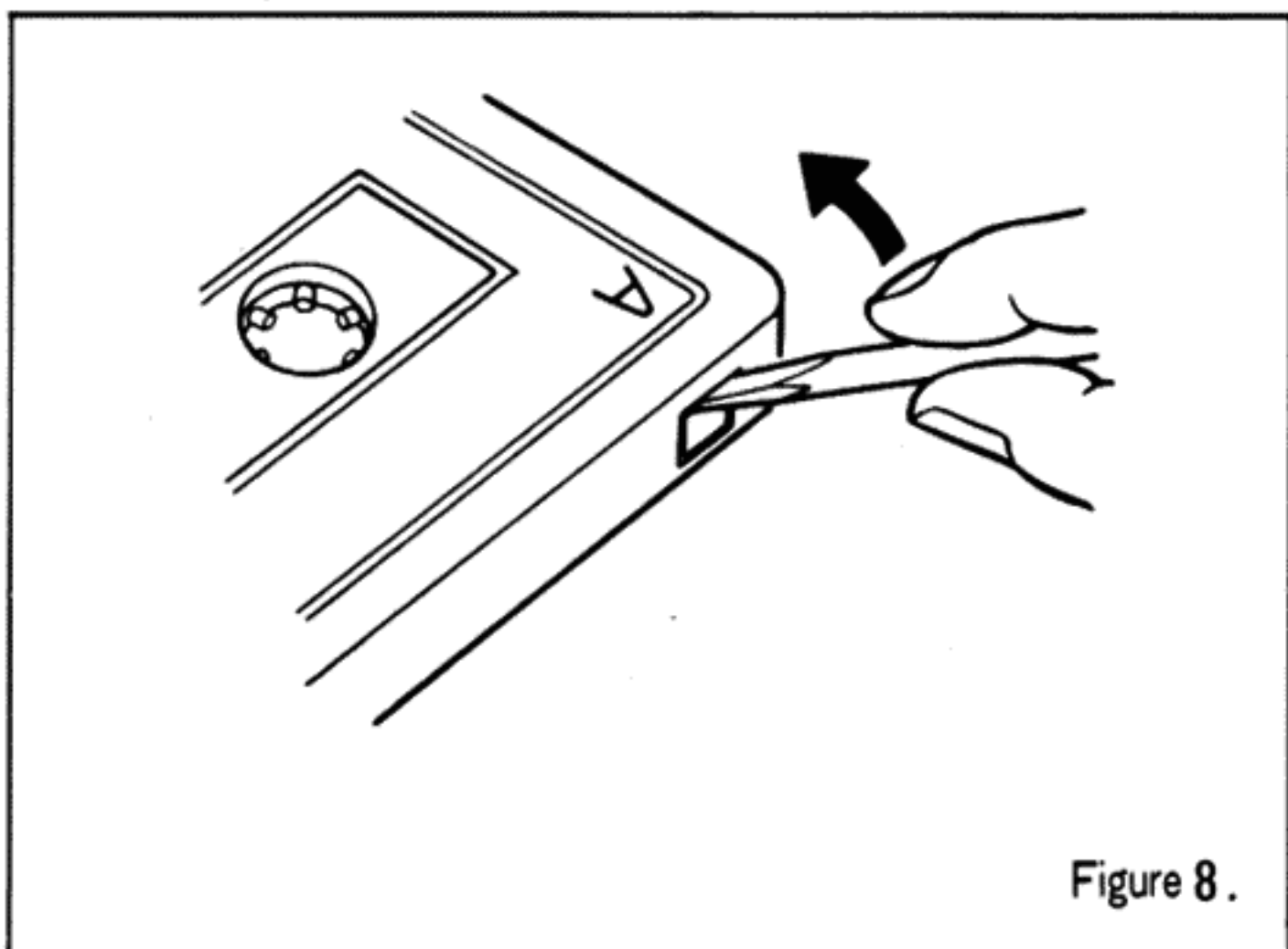
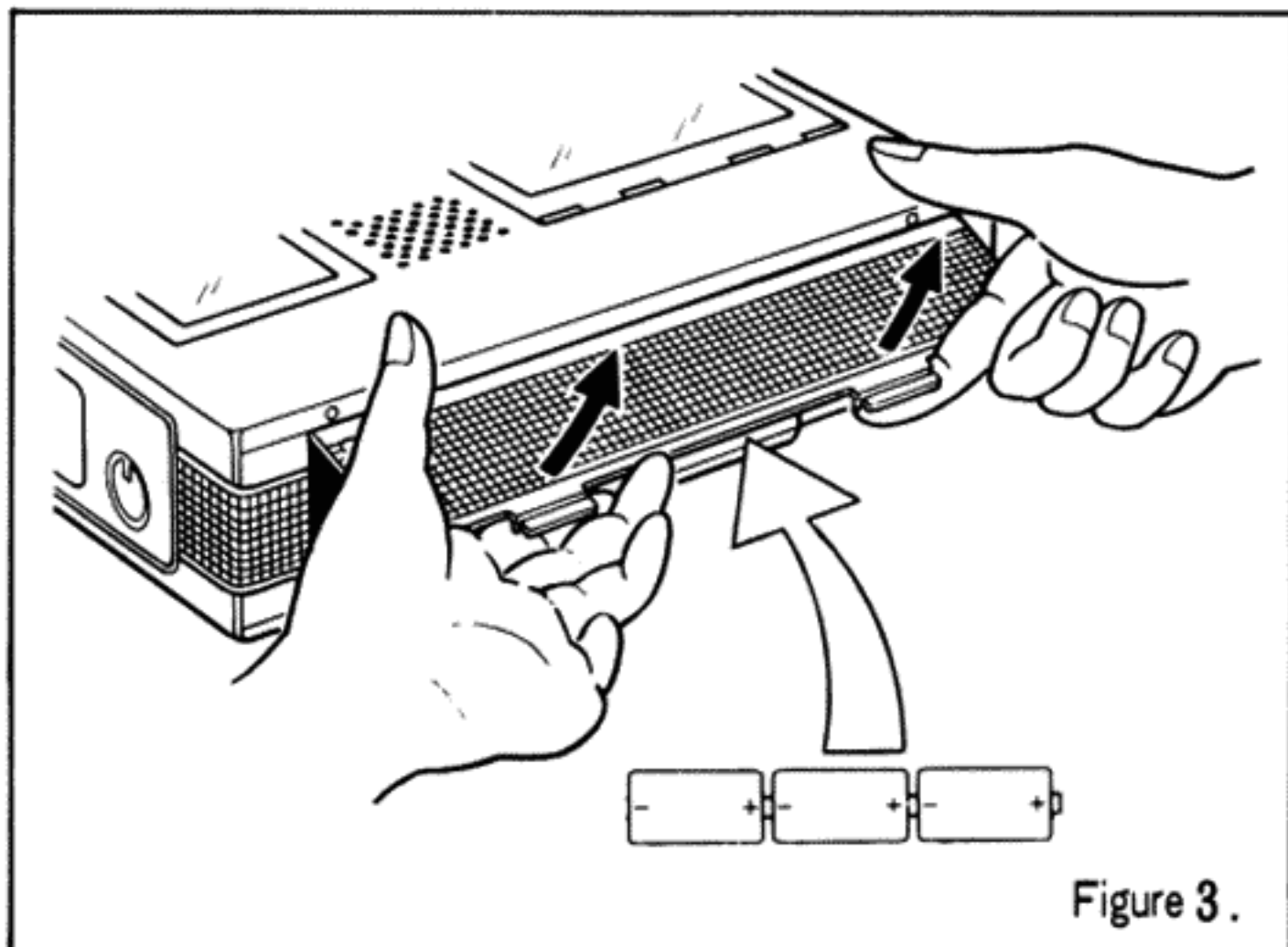
Seuls les techniciens les plus compétents et les plus qualifiés devraient être appelés à travailler sur votre appareil. La Compagnie Marantz, ainsi que le personnel formé en usine de ses centres de réparation ont les connaissances et les équipements spéciaux requis pour la réparation et la calibration de cet appareil de précision.

En cas de difficultés, voyez la liste des centres locaux de service Marantz sur la garantie imprimée, qui est incluse dans l'emballage de l'appareil ou écrivez à l'une des adresses ci-dessous pour obtenir les coordonnées du centre le plus proche de vous. Veuillez indiquer le modèle et numéro de série de votre appareil ainsi qu'une description détaillée du problème rencontré.

REBALLAGE POUR EXPEDITION

Si votre lecteur de cassettes stéréo doit être emballé pour expédition en usine, à un centre de réparations ou ailleurs, veuillez suivre les précautions suivantes:

- Emballez l'appareil très soigneusement en utilisant l'emballage d'origine (voir figure 12 de la page 20).
- Expédiez votre appareil par une maison de transport réputée et exigez un reçu d'expédition de la part du transporteur.
- Assurez l'appareil à sa valeur entière.
- Assurez-vous d'avoir inclus votre adresse sur l'étiquette d'emballage.



MODEL PMD420 TECHNICAL SPECIFICATIONS

Tape Drive System Single Capstan Drive
Cartridge Philips type compact cassette
Track System Compatible Stereo 4-track 2-channel
Tape Speed 4.75 cm/sec.
Heads 2 Head System
Rec/Play: Super Hard Metal Alloy
Erase: Dual Gap Ferrite
Motor DC Servo Motor

Frequency Response:
Normal Tape 40 Hz ~ 14 kHz ± 3 dB
CrO₂ Tape 40 Hz ~ 15 kHz ± 3 dB
Metal Tape 40 Hz ~ 16 kHz ± 3 dB

Signal to Noise Ratio:
NR Off 51 dB
Dolby B On 59 dB

Output Level Impedance 400 mV/2 k Ω

Input Level Impedance:
Microphone 0.32 mV/10 k Ω
Line 70 mV/50 k Ω

Wow and Flutter (NAB weighted) 0.12%

General:
Power Requirements 120 V AC, 60 Hz (When used with AC Adaptor)
Battery Requirements 3 D Cells or Optional RB430
Rechargeable Battery Pack

Battery Life:
Recording time with normal tape 6.5 hours (Alkaline Batteries)
6.0 hours (RB430 Battery Pack)
2.5 hours (Manganese Batteries)

Dimensions:
Width 228 mm (9")
Height 51 mm (2")
Depth 175 mm (6-7/8")
Weight 1.4 kg (3.0 lbs.)

Accessories AC Adaptor
Carrying Case
Shoulder

Mode d'entraînement	Simple cabestan
Type de cassette	Philips compact cassette
Pistes	Séréo 4 pistes, 2 canaux
Vitesse de bande	4,75 cm/sec.
Têtes	Système à 2 têtes
	Enregistrement/Lecture: Alliage Métal Super Dur
	Effacement: Ferrite à Entrefer Double
Moteur	Servo-moteur CC
Reponse en Frequence:	
Bande normale	40 Hz ~ 14 kHz ±3 dB
Bande CrO ₂	40 Hz ~ 15 kHz ±3 dB
Bande métallique	40 Hz ~ 16 kHz ±3 dB
Rapport Signal/Bruit:	
Réducteur de bruit hors circuit	51 dB
Dolby B en circuit	59 dB
Niveau et impédance de sortie	400 mV/2 k ohms
Niveau et impédance d'entrée:	
Microphone	0,32 mV/10 k ohms
Ligne	70 mV/50 k ohms
Pleurage et scintillement (pondéré NAB)	0,12%
Specifications Generales:	
Alimentation requise	120 V, 60 Hz
Piles	3 piles D ou RB430
	Ensemble pile rechargeable
Durée de vie des piles:	
Durée d'enregistrement avec bande normale	6,5 heures (piles alcalines)
	6,0 heures (batteries RB430)
	2,5 heures (piles au manganèse)
Dimensions:	
Largeur	228 mm
Hauteur	51 mm
Profondeur	175 mm
Poids	1.4 kg
Accessoires	Adaptateur secteur
	Sacoche de transport
	Courroie

MODEL PMD430 TECHNICAL SPECIFICATIONS

Tape Drive System	Single Capstan Drive
Cartridge	Philips type compact cassette
Track System	Compatible Stereo 4-track 2-channel
Tape Speed	4.75 cm/sec.
Heads	3 Head System
	Record: Super Hard Metal Alloy
	Playback: Super Hard Metal Alloy
	Erase: Dual Gap Ferrite
Motor	DC Servo Motor

Frequency Response:

Normal Tape	35 Hz ~ 14 kHz ± 3 dB
CrO ₂ Tape	35 Hz ~ 15 kHz ± 3 dB
Metal Tape	35 Hz ~ 17 kHz ± 3 dB

Signal to Noise Ratio:

NR Off	50 dB
Dolby B On	60 dB
dbx On	75 dB

Wow and Flutter (WRMS)	0.1%
Line Input Sensitivity/Impedance	70 mV/90 k Ω
Microphone Input Sensitivity Impedance	0.2 mV/10 k Ω
Output Level/Impedance	500 mV/3.9 k Ω

General:

Power Requirements	120 V, 50/60 Hz
Battery Requirements	3 D Cells or RB430 Rechargeable Battery Pack

Battery Life

Alkaline Batteries	
Playback Time	7.5 Hours
Recording Time with Metal Tape	5.5 Hours
RB430 Rechargeable Battery Pack (optional accessory)	
Playback Time	4.5 Hours
Recording Time with Metal Tape	4.0 Hours

Dimensions

Width	227 mm (9")
Height	50 mm (2")
Depth	165 mm (6.5")
Weight	1.3 kg (3.0 lbs.)

Mode d'entraînement	Simple cabestan
Type de cassette	Philips compact cassette
Pistes	Stéréo 4 pistes, 2 canaux
Vitesse de bande	4,75 cm/sec.
Têtes	Systeme à 3 têtes
	Enregistrement: Alliage Métal Super Dur
	Lecture: Alliage Métal Super Dur
	Effacement: Ferrite à Entrefer Double
Moteur	Servo-moteur CC

Reponse en Frequence:

Bande normale	35 Hz ~ 14 kHz ±3 dB
Bande CrO ₂	35 Hz ~ 15 kHz ±3 dB
Bande métallique	35 Hz ~ 17 kHz ±3 dB

Rapport Signal/Bruit:

Réducteur de bruit hors circuit	50 dB
Dolby B en circuit	60 dB
dbx en circuit	75 dB

Pleurage et scintillement (WRMS)	0,1%
Sensibilité/Impédance ligne entrée	70 mV/90 kohms
Sensibilité/Impédance entrée micro	0,2 mV/10 kohms
Impédance/niveau de sortie	500 mV/3,9 kohms

Specifications Generales:

Alimentation requise	120 V, 50/60 Hz
Piles	3 piles D ou RB430
	Ensemble pile rechargeable

Durée de vie des piles

Piles fer-nickel	
Temps de lecture	7,5 heures
Enregistrement avec bande metal	5,5 heures
Pile rechargeable RB430 (accessoire en option)	
Temps de lecture	4,5 heures
Enregistrement avec bande métal	4,0 heures

Dimensions

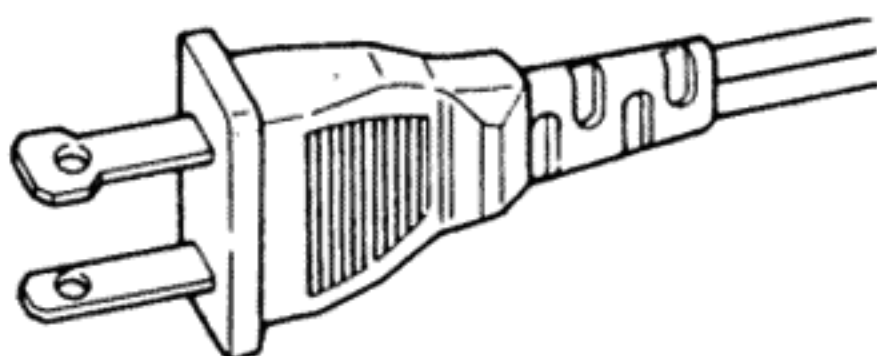
Largeur	227 mm
Hauteur	50 mm
Profondeur	165 mm
Poids	1,3 kg

SAFETY INSTRUCTIONS

READ BEFORE OPERATING EQUIPMENT

This product was designed and manufactured to meet strict quality and safety standards. There are, however, some installation and operation precautions which you should be particularly aware of.

1. **Read Instructions** – All the safety and operating instructions should be read before the appliance is operated.
2. **Retain Instructions** – The safety and operating instructions should be retained for future reference.
3. **Heed Warnings** – All warnings on the appliance and in the operating instructions should be adhered to.
4. **Follow Instructions** – All operating and use instructions should be followed.
5. **Water and Moisture** – The appliance should not be used near water—for example, near a bathtub, wash-bowl, kitchen sink, laundry tub, in a wet basement, or near a swimming pool, etc.
6. **Carts and Stands** – The appliance should be used only with a cart or stand that is recommended by the manufacturer.
7. **Wall or Ceiling Mounting** – The appliance should be mounted to a wall or ceiling only as recommended by the manufacturer.
8. **Ventilation** – The appliance should be situated so that its location or position does not interfere with its proper ventilation. For example, the appliance should not be situated on a bed, sofa, rug, or similar surface that may block the ventilation openings; or, placed in a built-in installation, such as a bookcase or cabinet that may impede the flow of air through the ventilation openings.
9. **Heat** – The appliance should be situated away from heat sources such as radiators, heat registers, stoves, or other appliances (including amplifiers) that produce heat.
10. **Power Sources** – The appliance should be connected to a power supply only of the type described in the operating instructions or as marked on the appliance.
11. **Grounding or Polarization** – Precautions should be taken so that the grounding or polarization means of an appliance is not defeated.
12. **Power-Cord Protection** – Power-supply cords should be routed so that they are not likely to be walked on or pinched by items placed upon or against them, paying particular attention to cords at plugs, convenience receptacles, and the point where they exit from the appliance.
13. **Cleaning** – The appliance should be cleaned only as recommended by the manufacturer.
14. **Power Lines** – An outdoor antenna should be located away from power lines.
15. **Outdoor Antenna Grounding** – If an outside antenna is connected to the receiver, be sure the antenna system is grounded so as to provide some protection against voltage surges and built up static charges. Section 810 of the National Electrical Code, ANSI/NFPA No. 70–1984, provides information with respect to proper grounding of the mast and supporting structure, grounding of the lead-in wire to an antenna discharge unit, size of grounding conductors, location of antenna-discharge unit, connection to grounding electrodes, and requirements for the grounding electrode. See Fig. 1.
16. **Nonuse Periods** – The power cord of the appliance should be unplugged from the outlet when left unused for a long period of time.
17. **Object and Liquid Entry** – Care should be taken so that objects do not fall and liquids are not spilled into the enclosure through openings.
18. **Damage Requiring Service** – The appliance should be serviced by qualified service personnel when:
 - A. The power-supply cord or the plug has been damaged; or
 - B. Objects have fallen, or liquid has spilled into the appliance; or
 - C. The appliance has been exposed to rain; or
 - D. The appliance does not appear to operate normally or exhibits a marked change in performance; or
 - E. The appliance has been dropped, or the enclosure damaged.
19. **Servicing** – The user should not attempt to service the appliance beyond that described in the operating instructions. All other servicing should be referred to qualified service personnel.
20. **An appliance and cart combination should be moved with care.** Quick stops, excessive force, and uneven surfaces may cause the appliance and cart combination to overturn.

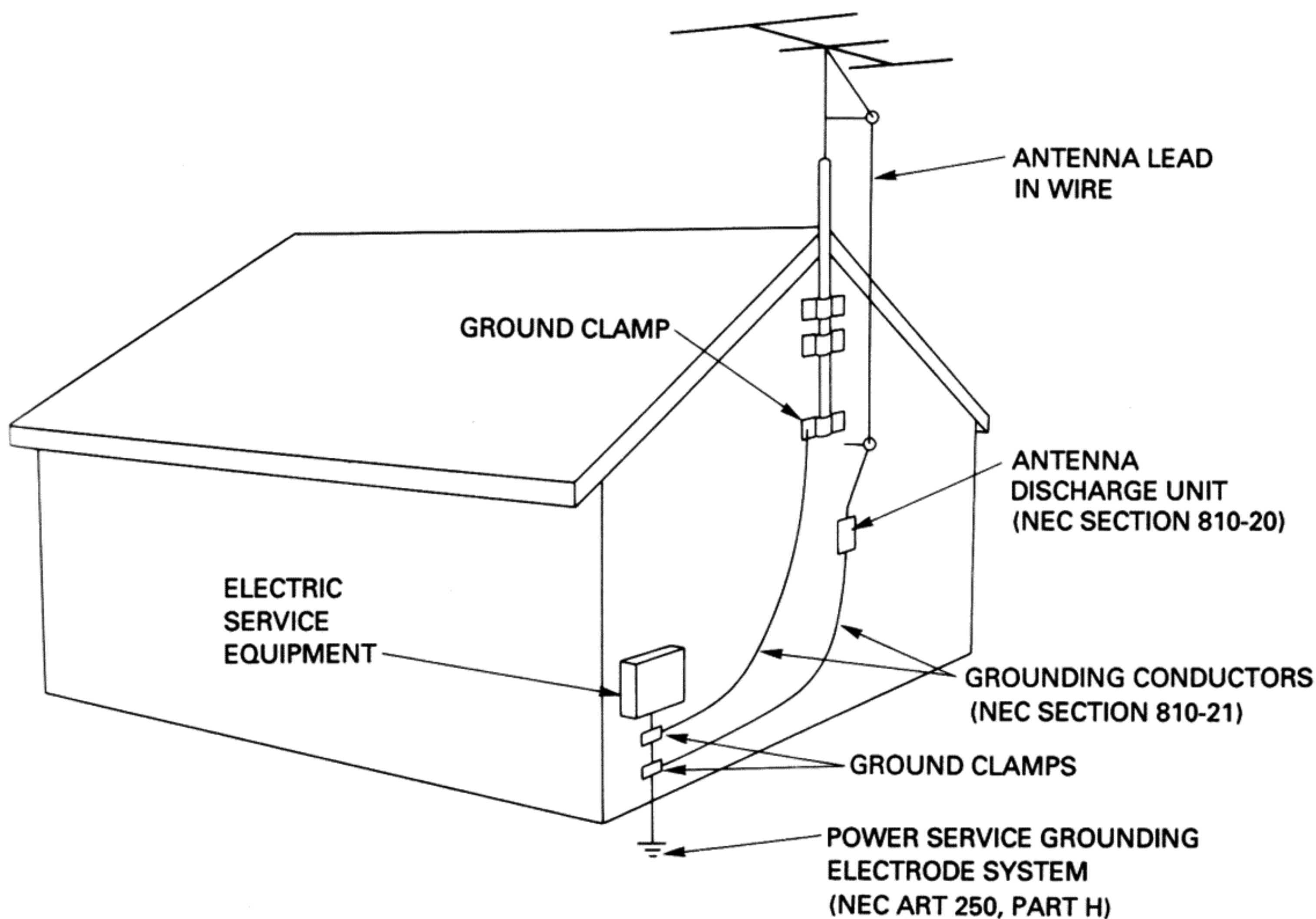


AC POLARIZED PLUG



FIG. 1

EXAMPLE OF ANTENNA GROUNDING ACCORDING TO
NATIONAL ELECTRICAL CODE INSTRUCTIONS
CONTAINED IN ARTICLE 810 - "RADIO AND TELEVISION EQUIPMENT"



NEC - NATIONAL ELECTRICAL CODE

NOTE TO CATV SYSTEM INSTALLER:

This reminder is provided to call the CATV system installer's attention to Article 820-40 of the NEC that provides guidelines for proper grounding and, in particular, specifies that the cable ground shall be connected to the grounding system of the building, as close to the point of cable entry as practical.

The Sound of Marantz

is the compelling warmth of a Stradivarius.

It is a dancing flute, a haughty bassoon
and the plaintive call of a lone French horn.

The Sound of Marantz is the sound of beauty,
and Marantz equipment is designed to bring you
the subtle joy of its delight.

Wonderful adventures in sound await you
when you discover that the Sound of Marantz
is the sound of music at its very best.

Dolby noise reduction manufactured under license from Dolby Laboratories Licensing Corporation.
"Dolby" and the double-D symbol are trademarks of Dolby Laboratories Licensing Corporation.

dbx noise reduction manufactured under license from dbx Inc.
"dbx" is a registered trademark of dbx Inc., Newton, Mass., USA.

MARANTZ is a registered trademark of Marantz Company, Inc.